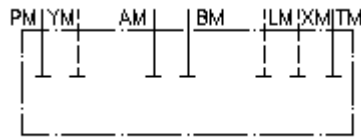


**blanking plate CETOP 7  
P,T,A,B,X and Y closed  
VSP-16.**



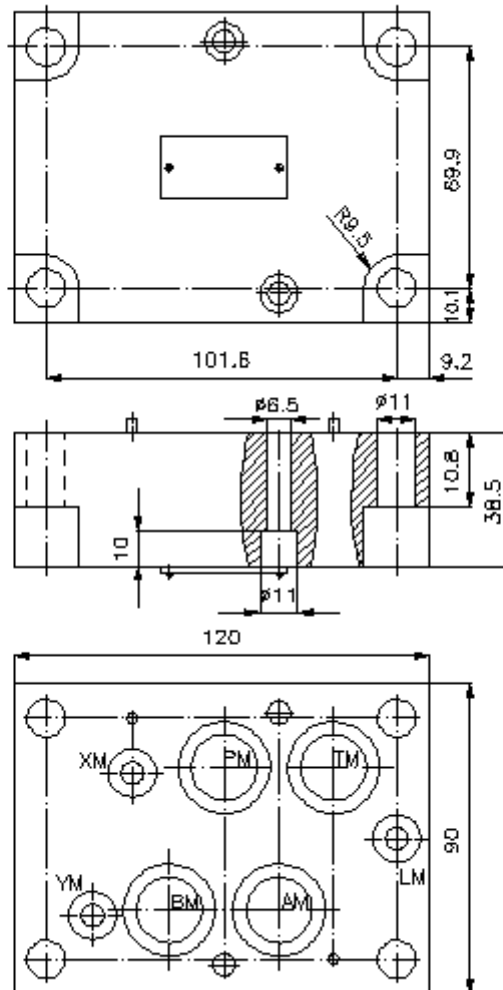
**Symbol:**



**Nom. pressure:**  
350 bar

IMAV-Hydraulik GmbH  
Breite Strasse 10  
D-40670 Meerbusch (Osterath)  
Phone +49 (0)2159 - 9188.0  
Fax +49 (0)2159 - 4242  
E-mail: [info@imav.com](mailto:info@imav.com)  
Internet: <http://www.imav.com>

**IZ-850-500-00**  
(Subject to change!)



**blanking plate CETOP 7  
P,T,A,B,X and Y closed  
VSP-16.**



IMAV-Hydraulik GmbH  
Breite Strasse 10  
D-40670 Meerbusch (Osterath)  
Phone +49 (0)2159 - 9188.0  
Fax +49 (0)2159 - 4242  
E-mail: [info@imav.com](mailto:info@imav.com)  
Internet: <http://www.imav.com>

**IZ-850-500-00**  
(Subject to change!)

**Ordering example:**

VSP    - 16A  
|        |  
**A**      **B**

**Model code:**

**A** **design**  
linking sandwich plate  
with mounting interface DIN 24340 form A

**B** **size and material**  
16A = aluminum (F37)  
16S = steel (9SMnPb28K resp. GGG-40)

**Technical Data:**

**note:**                      required mounting screws:  
2 pcs. M6 x 35 DIN 912  
4 pcs. M10 x 35 DIN 912

**nominal pressure:**    250 bar (A)  
350 bar (S)

**weight:**                    1.1 / 3.4 kg (A/S)