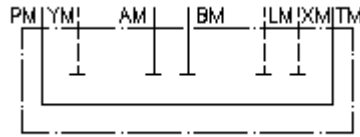


linking/crossover plate CETOP 7
P w. T connected, A,B,X,Y+L closed
UP-16.-PT



IMAV-Hydraulik GmbH
 Breite Strasse 10
 D-40670 Meerbusch (Osterath)
 Phone +49 (0)2159 - 9188.0
 Fax +49 (0)2159 - 4242
 E-mail: info@imav.com
 Internet: <http://www.imav.com>

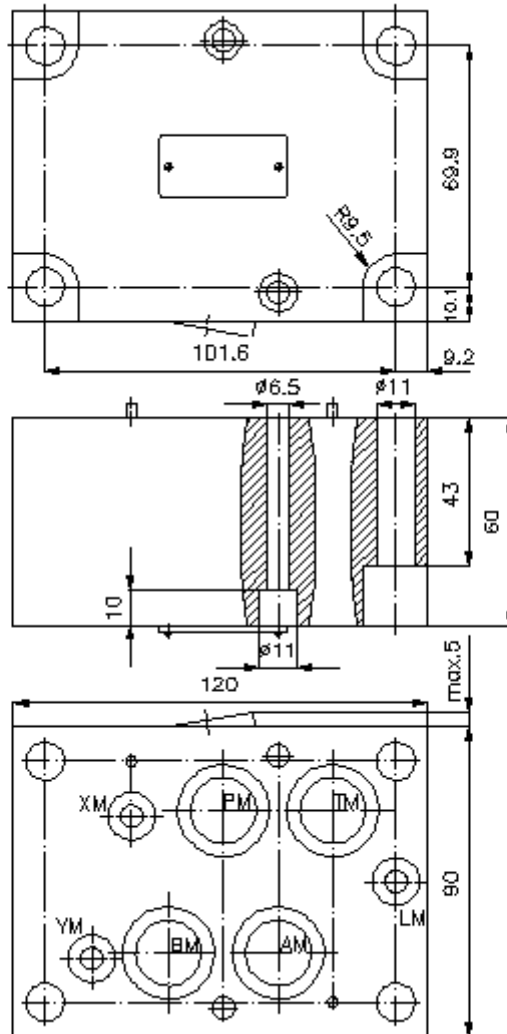
 **Symbol:**



Nom. pressure:
 350 bar

IZ-850-501-00

(Subject to change!)



linking/crossover plate CETOP 7
P w. T connected, A,B,X,Y+L closed
UP-16.-PT



IMAV-Hydraulik GmbH
Breite Strasse 10
D-40670 Meerbusch (Osterath)
Phone +49 (0)2159 - 9188.0
Fax +49 (0)2159 - 4242
E-mail: info@imav.com
Internet: <http://www.imav.com>

IZ-850-501-00

(Subject to change!)

Ordering example:

UP - 16A - PT
| | |
A **B** **C**

Model code:

A design
turn round plate
with mounting interface DIN 24340 form A

B size and material
16A = aluminum (F37)
16S = steel (9SMnPb28K resp. GGG-40)

C function mode
PT = P with T connected

Technical Data:

note: required mounting screws:
 2 pcs. M6 x 60 DIN 912
 4 pcs. M10 x 60 DIN 912

nominal pressure: 250 bar (A)
 350 bar (S)

weight: 1.8 / 5.5 kg (A/S)