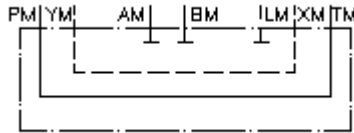


**linking/crossover plate CETOP 8  
P with T,X w.Y conn.,A,B+L closed  
UP-25.-PT+XY**



**Symbol:**

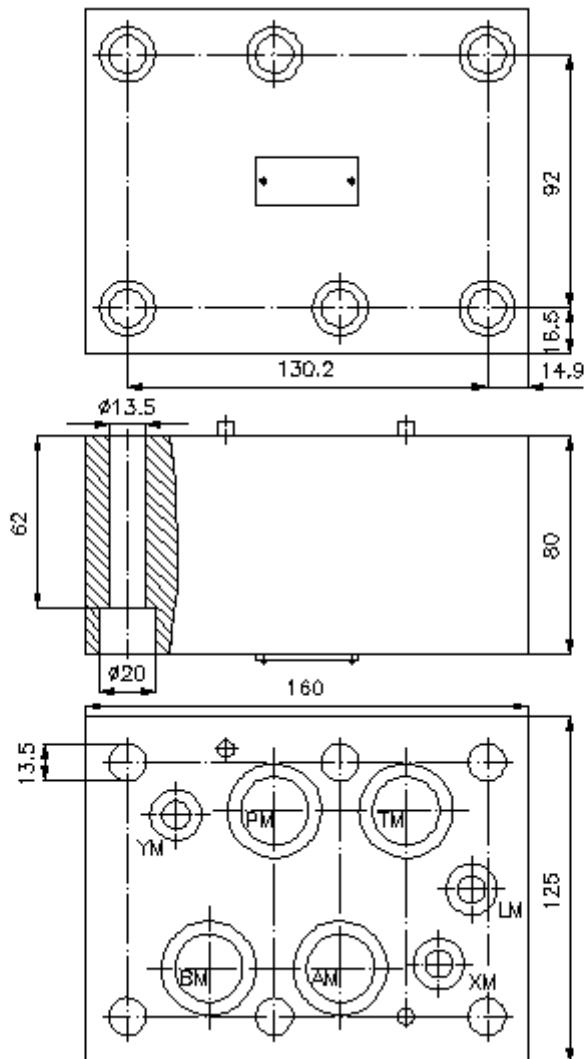
**Nom. pressure:**  
350 bar



IMAV-Hydraulik GmbH  
Breite Strasse 10  
D-40670 Meerbusch (Osterath)  
Phone +49 (0)2159 - 9188.0  
Fax +49 (0)2159 - 4242  
E-mail: [info@imav.com](mailto:info@imav.com)  
Internet: <http://www.imav.com>

**IZ-850-602-00**

(Subject to change!)



**linking/crossover plate CETOP 8  
P with T,X w.Y conn.,A,B+L closed  
UP-25.-PT+XY**



IMAV-Hydraulik GmbH  
Breite Strasse 10  
D-40670 Meerbusch (Osterath)  
Phone +49 (0)2159 - 9188.0  
Fax +49 (0)2159 - 4242  
E-mail: [info@imav.com](mailto:info@imav.com)  
Internet: <http://www.imav.com>

**IZ-850-602-00**

(Subject to change!)

**Ordering example:**

UP - 25A - PT+XY  
|        |        |  
**A**      **B**      **C**

**Model code:**

- A design**  
turn round plate  
with mounting interface DIN 24340 form A
- B size and material**  
25A = aluminum (F37)  
25S = steel (9SMnPb28K resp. GGG-40)
- C function mode**  
PT+XY = P with T and X with Y connected

**Technical Data:**

**note:** required mounting screws:  
8 pcs. M12 x 80 DIN 912

**nominal pressure:** 250 bar (A)  
350 bar (S)

**weight:** 3.9 / 9.9 kg (A/S)