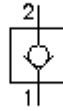


**check valve, screw-in type
blocked from 2 to 1
CV3-08.-P-0-...**

FIT-N Symbol:
Hydraulics

Nom. pressure:
350 bar

Nominal flow:
30 l/min.

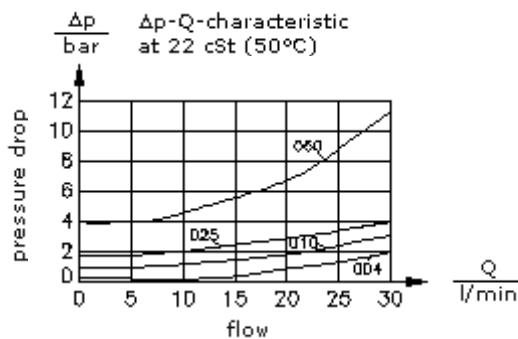
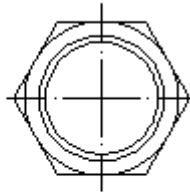
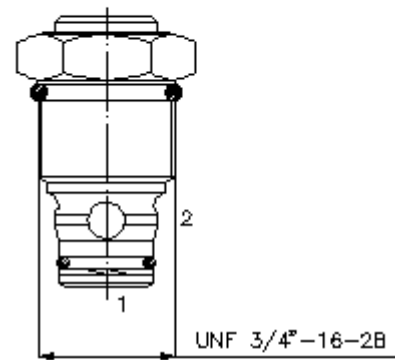
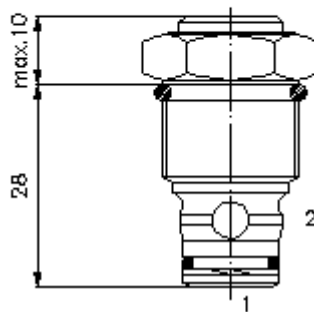


IMAV-Hydraulik GmbH
Breite Strasse 10
D-40670 Meerbusch (Osterath)
Phone +49 (0)2159 - 9188.0
Fax +49 (0)2159 - 4242
E-mail: info@imav.com
Internet: <http://www.imav.com>

MC-110-081-00
(Subject to change!)

HEX 7/8"
(torque
cartridge:
34 - 40 Nm)

cavity:
C-08-2
see
data-sheet no.:
[IK-100-089-00](#)



**check valve, screw-in type
blocked from 2 to 1
CV3-08.-P-0-...**



IMAV-Hydraulik GmbH
Breite Strasse 10
D-40670 Meerbusch (Osterath)
Phone +49 (0)2159 - 9188.0
Fax +49 (0)2159 - 4242
E-mail: info@imav.com
Internet: <http://www.imav.com>

Ordering example:

CV3 - 08N - P - 0 - 010
| | | | |
A **B** **C** **D** **E**

MC-110-081-00
(Subject to change!)

Model code:

- | | |
|---|--|
| A design
check valve
(free flow 1 -> 2) | E crack pressure
004 = 0.3 bar
010 = 0.7 bar
015 = 1.0 bar
025 = 1.7 bar
030 = 2.1 bar
060 = 4.1 bar |
| B size and sealing
08N = Buna (NBR)
08V = Viton (FPM) | |
| C function mode
poppet type valve | |
| D construction
0 = screw-in valve | |

Technical Data:

- | | |
|---------------------------|--|
| nominal pressure: | 350 bar |
| nominal flow: | 30 l/min |
| weight: | 0.05 kg |
| temperature range: | -40°C to 120°C |
| fluids: | hydraulic oil as per DIN 51524 T1 (ISO TC 131) |
| max. leakage: | 5 drops/min at 22 cSt (50°C) and 350 bar |
| seals: | optional Buna (NBR) or Viton (FPM), as well as Teflon wascher (PTFE) |
| cavity: | C-08-2 see datasheet no. IK-100-089-00 |
| housing: | 2LH-08.-B.. see datasheet no.: IH-100-000-00 |
| seal kit: | SP-MDS-08N-21 (NBR), SP-MDS-08V-21 (FPM) |