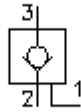


**check valve, screw-in type  
pilot operated  
SPC2-08.-P-0-...**

**Symbol:**

**Nom. pressure:**  
240 bar

**Nominal flow:**  
19 l/min.

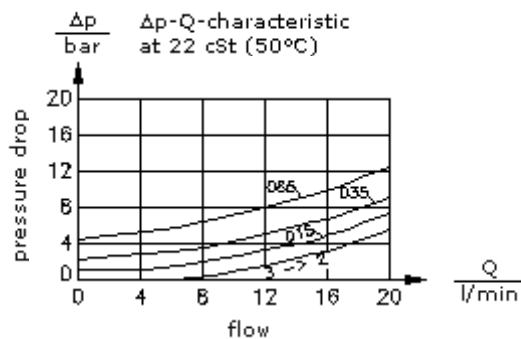
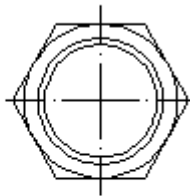
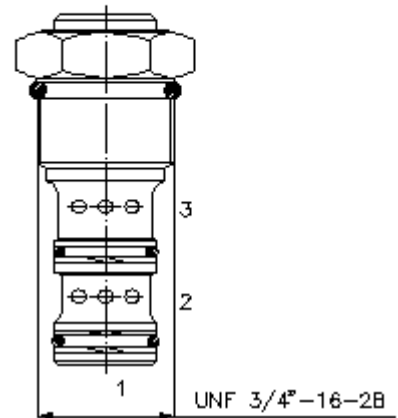
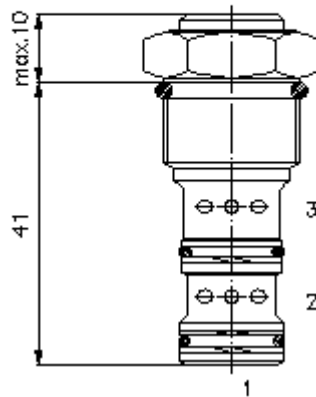


IMAV-Hydraulik GmbH  
Breite Strasse 10  
D-40670 Meerbusch (Osterath)  
Phone +49 (0)2159 - 9188.0  
Fax +49 (0)2159 - 4242  
E-mail: [info@imav.com](mailto:info@imav.com)  
Internet: <http://www.imav.com>

**MC-210-081-00**  
(Subject to change!)

HEX 7/8"  
(torque  
cartridge:  
34 - 40 Nm)

cavity:  
C-08-3  
see  
data-sheet no.:  
[IK-300-089-00](#)



**check valve, screw-in type  
pilot operated  
SPC2-08.-P-0-...**



IMAV-Hydraulik GmbH  
Breite Strasse 10  
D-40670 Meerbusch (Osterath)  
Phone +49 (0)2159 - 9188.0  
Fax +49 (0)2159 - 4242  
E-mail: [info@imav.com](mailto:info@imav.com)  
Internet: <http://www.imav.com>

**MC-210-081-00**

(Subject to change!)

**Ordering example:**

SPC2 - 08N - P - 0 - 035  
|        |        |        |        |  
**A**    **B**    **C**    **D**    **E**

**Model code:**

- |  |   |
|--|---|
| <b>A</b> <b>design</b><br>check valve<br>pilot operated by hydraulics<br>pilot ratio 3 : 1 | <b>C</b> <b>function mode</b><br>poppet type valve                                |
| <b>B</b> <b>size and sealing</b><br>08N = Buna (NBR)<br>08V = Viton (FPM)                  | <b>D</b> <b>construction</b><br>0 = screw-in valve                                |
|  | <b>E</b> <b>crack pressure</b><br>015 = 1.0 bar<br>035 = 2.4 bar<br>065 = 4.5 bar |

**Technical Data:**

<b>nominal pressure:</b>	240 bar
<b>nominal flow:</b>	19 l/min
<b>weight:</b>	0.07 kg
<b>temperature range:</b>	-40°C to 120°C
<b>fluids:</b>	hydraulic oil as per DIN 51524 T1 (ISO TC 131)
<b>max. leakage:</b>	3->2: 5 drops/min at 22 cSt (50°C) and 240 bar
<b>seals:</b>	optional Buna (NBR) or Viton (FPM), as well as Teflon wascher (PTFE)
<b>cavity:</b>	C-08-3 see datasheet no. <a href="#">IK-300-089-00</a>
<b>housing:</b>	3LH-08.-B.. see datasheet no. <a href="#">IH-300-000-00</a>
<b>seal kit:</b>	SP-MDS-08N-33 (NBR), SP-MDS-08V-33 (FPM)