

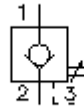
**check valve, screw-in type
manual operated
POC1-10.-S-0-...**



EATON Symbol:
Hydraulics

Nom. pressure:
350 bar

Nominal flow:
57 l/min.

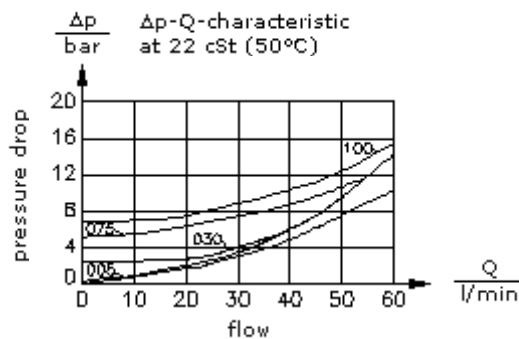
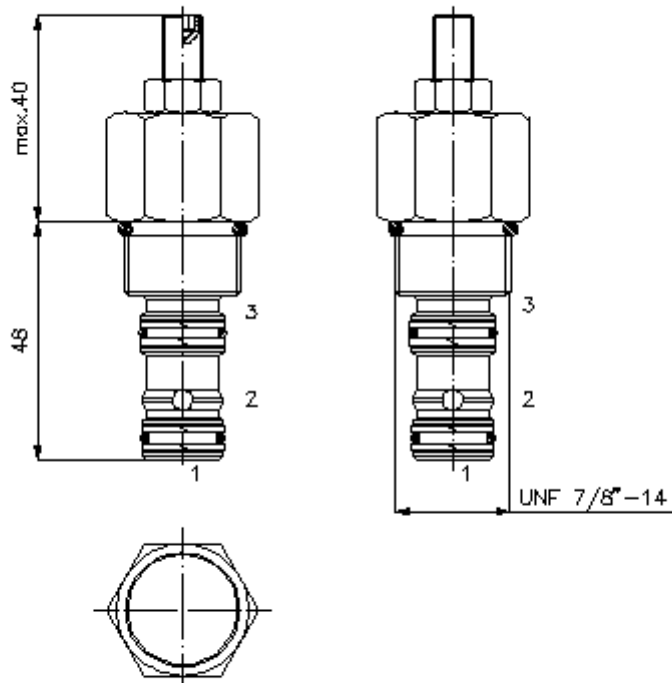


IMAV-Hydraulik GmbH
Breite Strasse 10
D-40670 Meerbusch (Osterath)
Phone +49 (0)2159 - 9188.0
Fax +49 (0)2159 - 4242
E-mail: info@imav.com
Internet: <http://www.imav.com>

MC-210-102-00
(Subject to change!)

HEX 1"
(torque
cartridge:
48 - 54 Nm)

cavity:
C-10-3S
see
data-sheet no.:
[IK-200-109-00](#)



**check valve, screw-in type
manual operated
POC1-10.-S-0-...**



IMAV-Hydraulik GmbH
Breite Strasse 10
D-40670 Meerbusch (Osterath)
Phone +49 (0)2159 - 9188.0
Fax +49 (0)2159 - 4242
E-mail: info@imav.com
Internet: <http://www.imav.com>

Ordering example:

POC1 - 10N - S - 0 - 035
| | | | |
A **B** **C** **D** **E**

MC-210-102-00
(Subject to change!)

Model code:

- A design**
check valve
pilot operated by hydraulics
pilot ratio 3 : 1
- B size and sealing**
10N = Buna (NBR)
10V = Viton (FPM)
- C adjustment**
S = manually pilot operated

- D construction**
0 = screw-in valve
- E crack pressure**
005 = 0.3 bar
030 = 2.1 bar
075 = 5.2 bar
100 = 6.9 bar

Technical Data:

- nominal pressure:** 350 bar
- nominal flow:** 57 l/min
- weight:** 0.17 kg
- temperature range:** -40°C to 120°C
- fluids:** hydraulic oil as per DIN 51524 T1 (ISO TC 131)
- max. leakage:** 1 -> 2 = 5 drops/min at 22 cSt (50°) and 350 bar
- seals:** optional Buna (NBR) or Viton (FPM), as well as Teflon wascher (PTFE)
- cavity:** C-10-3S see datasheet no. [IK-200-109-00](#)
- housing:** 3SLH-10.-B.. see datasheet no. [IH-200-000-00](#)
- seal kit:** SP-MDS-10N-34S (NBR), SP-MDS-10V-34S (FPM)