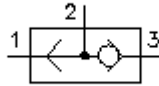


**shuttle valve, screw-in  
valve (ball type)  
DSV1-10.-B-0**

**EATON** Symbol:  
Hydraulics

**Nom. pressure:**  
210 bar

**Nominal flow:**  
25 l/min.

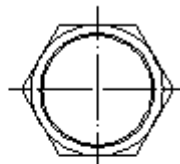
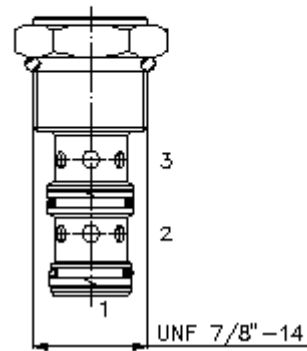
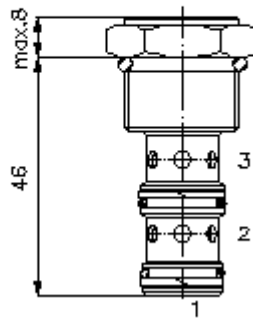


IMAV-Hydraulik GmbH  
Breite Strasse 10  
D-40670 Meerbusch (Osterath)  
Phone +49 (0)2159 - 9188.0  
Fax +49 (0)2159 - 4242  
E-mail: [info@imav.com](mailto:info@imav.com)  
Internet: <http://www.imav.com>

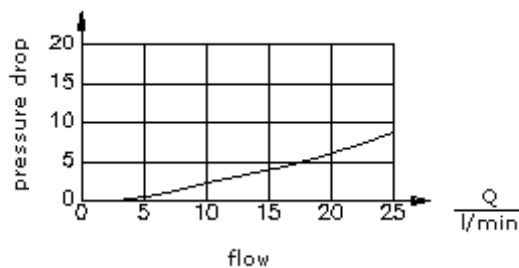
**MC-320-100-00**  
(Subject to change!)

HEX 1"  
(torque  
cartridge:  
48 - 54 Nm)

cavity:  
C-10-3  
see  
data-sheet no.:  
[IK-300-109-00](#)



$\frac{\Delta p}{\text{bar}}$   $\Delta p$ -Q-characteristic  
at 22 cSt (50°C)



**shuttle valve, screw-in  
valve (ball type)  
DSV1-10.-B-0**



IMAV-Hydraulik GmbH  
Breite Strasse 10  
D-40670 Meerbusch (Osterath)  
Phone +49 (0)2159 - 9188.0  
Fax +49 (0)2159 - 4242  
E-mail: [info@imav.com](mailto:info@imav.com)  
Internet: <http://www.imav.com>

**MC-320-100-00**

(Subject to change!)

**Ordering example:**

DSV1 - 10N - B - 0  
|        |        |        |  
**A**    **B**    **C**    **D**

**Model code:**

- |   |  |
|---|--|
| <b>A</b> <b>design</b><br>shuttle valve                                   | <b>C</b> <b>function mode</b><br>B = ball type     |
| <b>B</b> <b>size and sealing</b><br>10N = Buna (NBR)<br>10V = Viton (FPM) | <b>D</b> <b>construction</b><br>0 = screw-in valve |

**Technical Data:**

<b>nominal pressure:</b>	210 bar
<b>nominal flow:</b>	25 l/min
<b>weight:</b>	0.08 kg
<b>temperature range:</b>	-40°C to 120°C
<b>fluids:</b>	hydraulic oil as per DIN 51524 T1 (ISO TC 131)
<b>max. leakage:</b>	5 drops/min at 22 cSt (50°C) and 210 bar
<b>seals:</b>	optional Buna (NBR) or Viton (FPM), as well as Teflon wascher (PTFE)
<b>cavity:</b>	C-10-3 see datasheet no. <a href="#">IK-300-109-00</a>
<b>housing:</b>	3LH-10.-B.. see datasheet no. <a href="#">IH-300-000-00</a>
<b>seal kit:</b>	SP-MDS-10N-32 (NBR), SP-MDS-10V-32 (FPM)