

counterbalance valve, screw-in valve (adjustable)

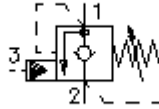
CBV.-10.-.-0-.-..

FIT-N Symbol:

Hydraulics

Nom. pressure:
350 bar

Nominal flow:
60 l/min.



IMAV-Hydraulik GmbH
Breite Strasse 10
D-40670 Meerbusch (Osterath)
Phone +49 (0)2159 - 9188.0
Fax +49 (0)2159 - 4242
E-mail: info@imav.com
Internet: <http://www.imav.com>

MC-410-101-00

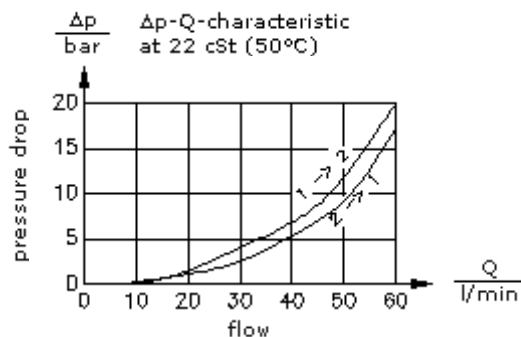
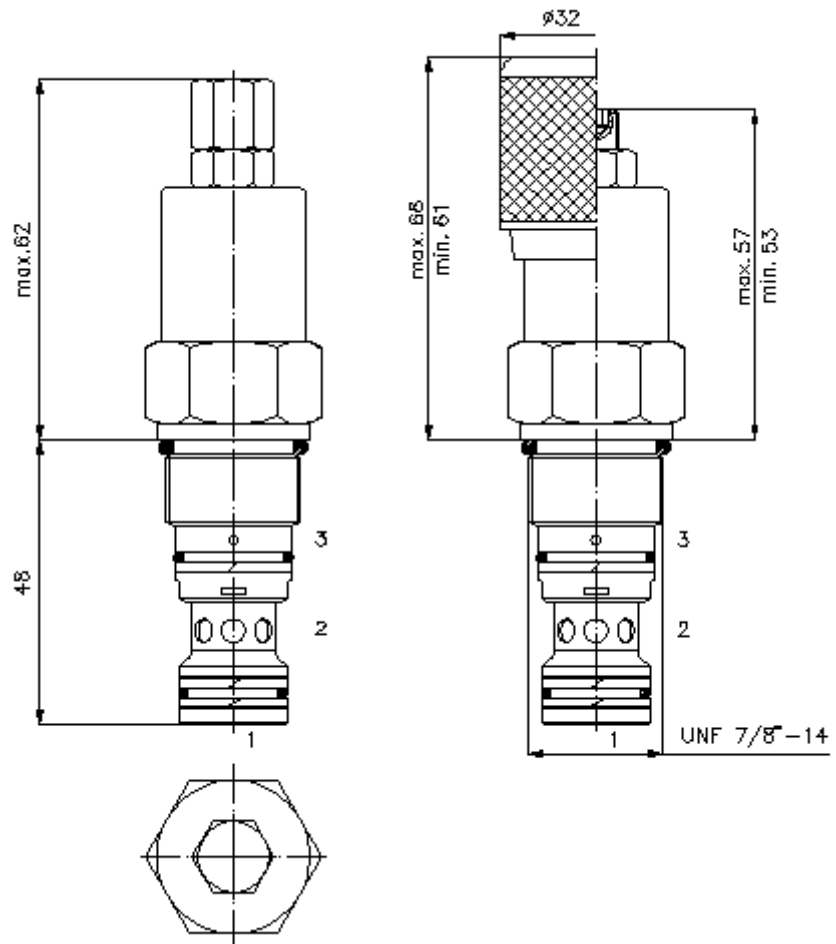
(Subject to change!)

HEX 1/2"

HEX 1"
(torque
cartridge:
48 - 54 Nm)

cavity:
C-10-3S
see
data-sheet no.:
[IK-200-109-00](#)

HEX 4 mm



counterbalance valve, screw-in valve (adjustable)

CBV.-10.-.-0-.-..

Ordering example:

CBV1 - 10N - C - 0 - A - 50

A	B	C	D	E	F



IMAV-Hydraulik GmbH
Breite Strasse 10
D-40670 Meerbusch (Osterath)
Phone +49 (0)2159 - 9188.0
Fax +49 (0)2159 - 4242
E-mail: info@imav.com
Internet: <http://www.imav.com>

MC-410-101-00

(Subject to change!)

Model code:

- | | |
|---|---|
| <p>A design
counter balance valve
pilot ratio
1 = 4 : 1
2 = 10 : 1</p> <p>B size and sealing
10N = Buna (NBR)
10V = Viton (FPM)</p> <p>C adjustment
S = screw adjustment
C = cap
K = handknob</p> | <p>D construction
0 = screw-in valve</p> <p>E check valve free flow crack pressure
A = 1.40 bar
B = 0.28 bar</p> <p>F pressure range
30 = 62.1 - 210 bar
50 = 186.2 - 350 bar</p> |
|---|---|

Technical Data:

- | | |
|---------------------------|---|
| note: | left turn (counter clockwise) = increasing pressure
right turn (clockwise) = reducing pressure |
| nominal pressure: | 350 bar |
| nominal flow: | 60 l/min |
| weight: | 0.23 kg |
| temperature range: | -40°C to 120°C |
| fluids: | hydraulic oil as per DIN 51524 T1 (ISO TC 131) |
| max. leakage: | 5 drops/min at 22 cSt (50°C) and 77% crack pressure |
| seals: | optional Buna (NBR) or Viton (FPM), as well as Teflon wascher (PTFE) |
| cavity: | C-10-3S see datasheet no. IK-200-109-00 |
| housing: | 3SLH-10.-B.. see datasheet no. IH-200-000-00 |
| seal kit: | SP-MDS-10N-33S (NBR), SP-MDS-10V-33S (FPM) |