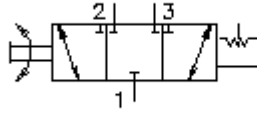


**3 way, 2 pos. manual rel. screw-in valve, with hand knob adjustment
MRV3-10.-D2-0**



IMAV-Hydraulik GmbH
Breite Strasse 10
D-40670 Meerbusch (Osterath)
Phone +49 (0)2159 - 9188.0
Fax +49 (0)2159 - 4242
E-mail: info@imav.com
Internet: <http://www.imav.com>

Symbol:



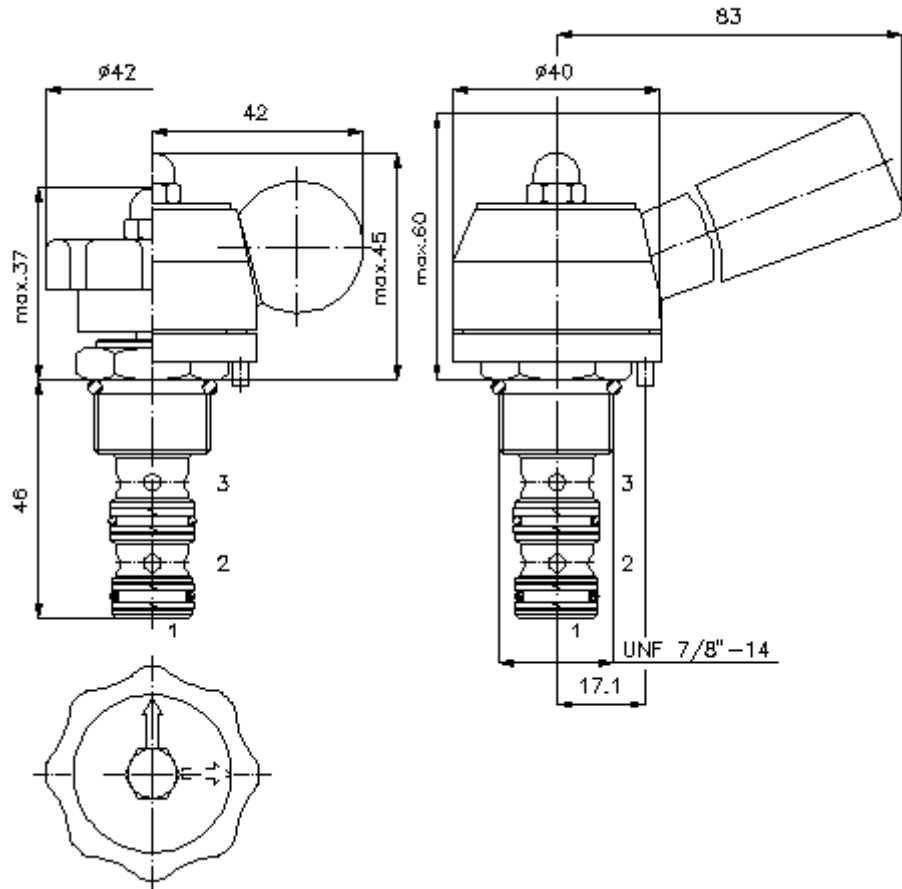
Nom. pressure:
210 bar

Nominal flow:
23 l/min.

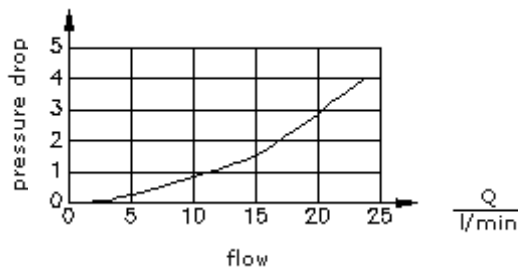
MD-210-103-00
(Subject to change!)

HEX 1"
(torque
cartridge:
48 - 54 Nm)

cavity:
C-10-3
see
data-sheet no.:
[IK-300-109-00](#)



$\frac{\Delta p}{\text{bar}}$ Δp -Q-characteristic
at 22 cSt (50°C)



3 way, 2 pos. manual rel. screw-in valve, with hand knob adjustment
MRV3-10.-D2-0



Ordering example:

MRV3 - 10N - D2 - 0
| | | |
A **B** **C** **D**

IMAV-Hydraulik GmbH
Breite Strasse 10
D-40670 Meerbusch (Osterath)
Phone +49 (0)2159 - 9188.0
Fax +49 (0)2159 - 4242
E-mail: info@imav.com
Internet: <http://www.imav.com>

MD-210-103-00
(Subject to change!)

Model code:

- | | |
|---|---|
| A design
manual pull valve | C adjustment
D2 = lever, 2 position, detent
E2 = ball, 2 position, detent |
| B size and sealing
10N = Buna (NBR)
10V = Viton (FPM) | D construction
0 = screw-in valve |

Technical Data:

- | | |
|---------------------------|--|
| note: | Bore dimension for locating pin: d 3.5 x 5 |
| nominal pressure: | 210 bar |
| nominal flow: | 23 l/min |
| weight: | |
| temperature range: | -40°C to 120°C |
| fluids: | hydraulic oil as per DIN 51524 T1 (ISO TC 131) |
| max. leakage: | 165 ccm/min at 22 cSt (50°C) and 210 bar |
| seals: | optional Buna (NBR) or Viton (FPM), as well as Teflon wascher (PTFE) |
| cavity: | C-10-3 see datasheet no. IK-300-109-00 |
| housing: | 3LH-10.-B.. see datasheet no. IH-300-000-00 |
| seal kit: | SP-MDS-10N-34 (NBR), SP-MDS-10V-34 (FPM) |