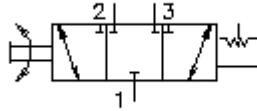


3 way, 2 pos. manual rel. screw-in valve, with hand knob adjustment MRV3-16.-D-0



IMAV-Hydraulik GmbH
Breite Strasse 10
D-40670 Meerbusch (Osterath)
Phone +49 (0)2159 - 9188.0
Fax +49 (0)2159 - 4242
E-mail: info@imav.com
Internet: <http://www.imav.com>

Symbol:



Nom. pressure:
210 bar

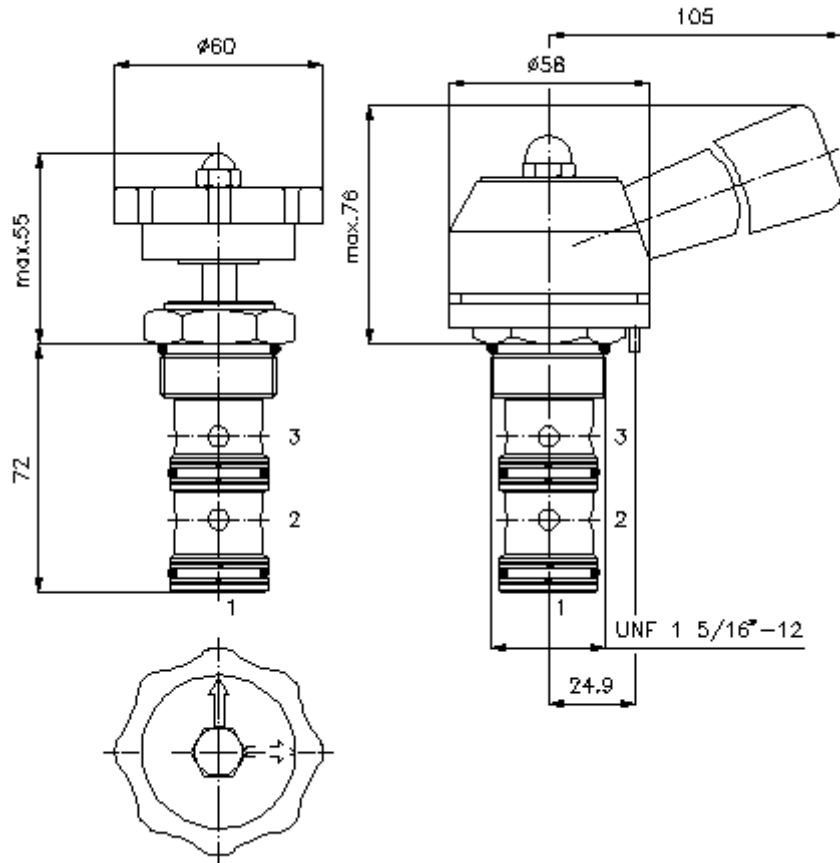
Nominal flow:
64 l/min.

MD-210-163-00

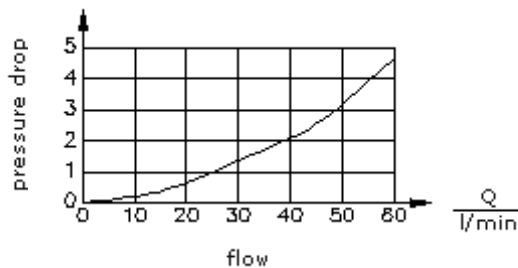
(Subject to change!)

HEX 1 1/2"
(torque
cartridge:
109 - 122 Nm)

cavity:
C-16-3
see
data-sheet no.:
[IK-300-169-00](#)



$\frac{\Delta p}{\text{bar}}$ Δp -Q-characteristic
at 22 cSt (50°C)



**3 way, 2 pos. manual rel. screw-in
valve, with hand knob adjustment
MRV3-16.-D-0**



IMAV-Hydraulik GmbH
Breite Strasse 10
D-40670 Meerbusch (Osterath)
Phone +49 (0)2159 - 9188.0
Fax +49 (0)2159 - 4242
E-mail: info@imav.com
Internet: <http://www.imav.com>

MD-210-163-00

(Subject to change!)

Ordering example:

MRV3 - 16N - D - 0
| | | |
A **B** **C** **D**

Model code:

- | | |
|---|---|
| A design
manual pull valve | C adjustment
D = lever, 3 position, detent |
| B size and sealing
16N = Buna (NBR)
16V = Viton (FPM) | D construction
0 = screw-in valve |

Technical Data:

note:	Bore dimension for locating pin: d 3.5 x 5
nominal pressure:	210 bar
nominal flow:	64 l/min
weight:	0.53 kg
temperature range:	-40°C to 120°C
fluids:	hydraulic oil as per DIN 51524 T1 (ISO TC 131)
max. leakage:	165 ccm/min at 22 cSt (50°C) and 210 bar
seals:	optional Buna (NBR) or Viton (FPM), as well as Teflon wascher (PTFE)
cavity:	C-16-3 see datasheet no. IK-300-169-00
housing:	3LH-16.-B.. see datasheet no. IH-300-000-00
seal kit:	SP-MDS-16N-34 (NBR), SP-MDS-16V-34 (FPM)