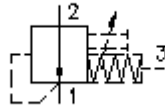


**2 way, 2 pos. logic spool valve
type "F"
DPS2-20.-F.-0-...**

Symbol:



Nom. pressure:
290 bar

Nominal flow:
300 l/min.

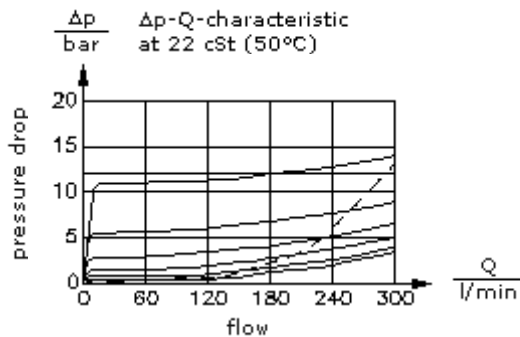
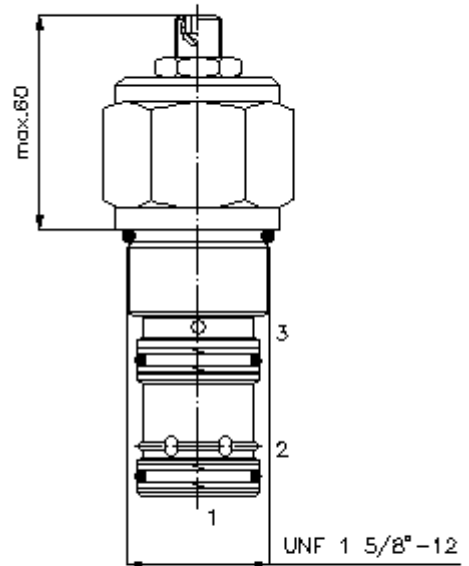
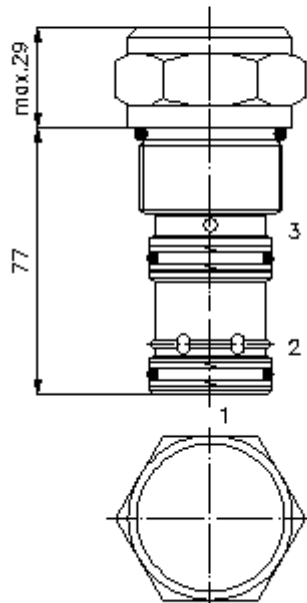


IMAV-Hydraulik GmbH
Breite Strasse 10
D-40670 Meerbusch (Osterath)
Phone +49 (0)2159 - 9188.0
Fax +49 (0)2159 - 4242
E-mail: info@imav.com
Internet: <http://www.imav.com>

MD-750-201-00
(Subject to change!)

HEX 1 7/8"
(torque
cartridge:
129 - 155 Nm)

cavity:
C-20-3S
see
data-sheet no.:
[IK-200-209-00](#)



**2 way, 2 pos. logic spool valve
type "F"
DPS2-20.-F-.0-...**



IMAV-Hydraulik GmbH
Breite Strasse 10
D-40670 Meerbusch (Osterath)
Phone +49 (0)2159 - 9188.0
Fax +49 (0)2159 - 4242
E-mail: info@imav.com
Internet: <http://www.imav.com>

Ordering example:

DPS2 - 20N - F - F - 0 - 040
| | | | | |
A **B** **C** **D** **E** **F**

MD-750-201-00
(Subject to change!)

Model code:

- | | |
|---|---|
| A design
logic valve | F crack pressure
005 = 0.3 bar
010 = 0.7 bar
020 = 1.4 bar
040 = 2.8 bar
080 = 5.5 bar
160 = 11.0 bar |
| B size and sealing
20N = Buna (NBR)
20V = Viton (FPM) | |
| C spool type
F = flow regulation (hydrostatic)
base position open | |
| D adjustment
F = fixed | |
| E construction
0 = screw-in valve | |

Technical Data:

nominal pressure: 290 bar
nominal flow: 300 l/min
weight: 0.81 kg
temperature range: -40°C to 120°C
fluids: hydraulic oil as per DIN 51524 T1 (ISO TC 131)
max. leakage: 85 ccm/min at 22 cSt (50°C) and 350 bar
seals: optional Buna (NBR) or Viton (FPM), as well as Teflon wascher (PTFE)
pilot ratio: 1 : 1
cavity: C-20-3S see datasheet no. [IK-200-209-00](#)
housing: 3SLH-20.-B.. see datasheet no. [IH-200-000-00](#)
seal kit: SP-MDS-20N-34S (NBR), SP-MDS-20V-34S (FPM)