

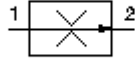
2 way flow reg. screw-in valve (fixed)

FR5-10.-F-0-.....

EATON Symbol:
Hydraulics

Nom. pressure:
350 bar

Nominal flow:
23 l/min.

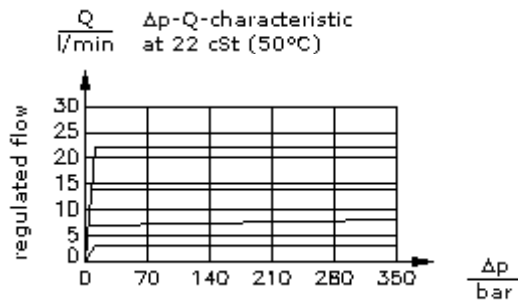
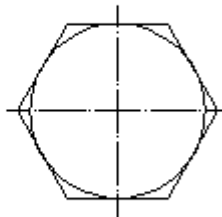
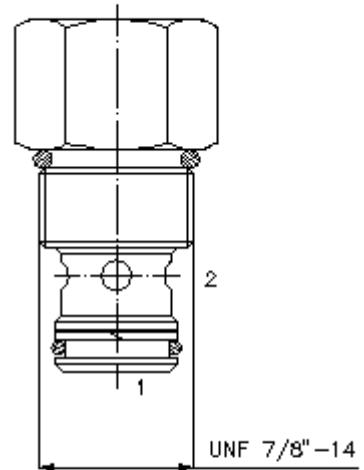
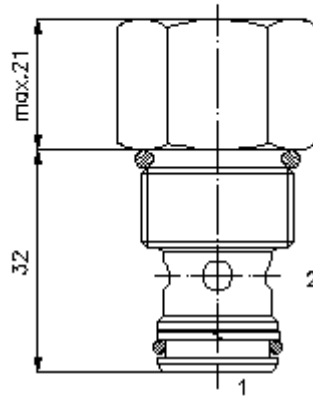


IMAV-Hydraulik GmbH
Breite Strasse 10
D-40670 Meerbusch (Osterath)
Phone +49 (0)2159 - 9188.0
Fax +49 (0)2159 - 4242
E-mail: info@imav.com
Internet: <http://www.imav.com>

MF-110-101-00
(Subject to change!)

HEX 1"
(torque
cartridge:
48 - 54 Nm)

cavity:
C-10-2
see
data-sheet no.:
[IK-100-109-00](#)



-- 1>2

--- 2>1

2 way flow reg. screw-in valve (fixed)

FR5-10.-F-0-.....

Ordering example:

FR5 - 10N - F - 0 - 04.00

A	B	C	D	E



IMAV-Hydraulik GmbH
Breite Strasse 10
D-40670 Meerbusch (Osterath)
Phone +49 (0)2159 - 9188.0
Fax +49 (0)2159 - 4242
E-mail: info@imav.com
Internet: <http://www.imav.com>

MF-110-101-00

(Subject to change!)

Model code:

- A** **design**
flow regulator valve
- B** **size and sealing**
10N = Buna (NBR)
10V = Viton (FPM)
- C** **adjustment**
F = fixed
- D** **construction**
0 = screw-in valve

- E** **quantity adjustment**
requested regulated flow
Q specify in gpm
1 l/min = 0.265 Gpm
(1 Gpm = 3.785 l/min)
regulation tolerance
0.4 - 2.0 l/min ±20% (210 bar)
0.4 - 2.0 l/min ±40% (350 bar)
2.0 - 6.0 l/min ±15%
6.0 - 23.0 l/min ±10%

Technical Data:

nominal pressure:	350 bar
nominal flow:	23 l/min
weight:	0.12 kg
temperature range:	-40°C to 120°C
fluids:	hydraulic oil as per DIN 51524 T1 (ISO TC 131)
seals:	optional Buna (NBR) or Viton (FPM), as well as Teflon wascher (PTFE)
cavity:	C-10-2 see datasheet no. IK-100-109-00
housing:	2LH-10.-B.. see datasheet no. IH-100-000-00
seal kit:	SP-MDS-10N-21 (NBR), SP-MDS-10V-21 (FPM)