

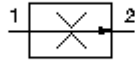
# 2 way flow reg. screw-in valve (fixed)

FR1-20.-F-0-.....

**FIT-N** Symbol:  
Hydraulics

**Nom. pressure:**  
210 bar

**Nominal flow:**  
227 l/min.

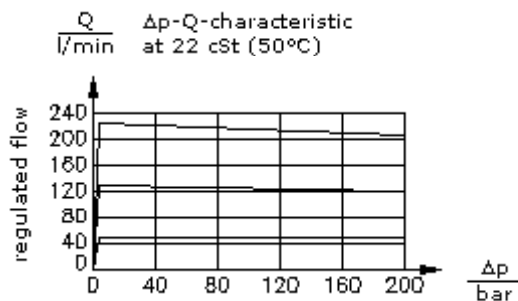
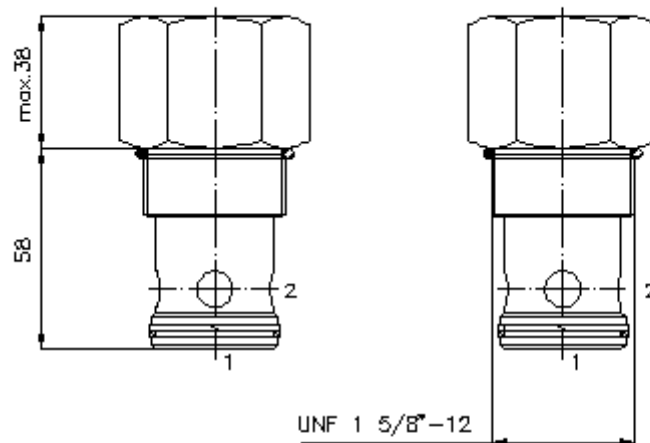


IMAV-Hydraulik GmbH  
Breite Strasse 10  
D-40670 Meerbusch (Osterath)  
Phone +49 (0)2159 - 9188.0  
Fax +49 (0)2159 - 4242  
E-mail: [info@imav.com](mailto:info@imav.com)  
Internet: <http://www.imav.com>

**MF-120-200-00**  
(Subject to change!)

HEX 1 7/8"  
(torque  
cartridge:  
129 - 155 Nm)

cavity:  
C-20-2  
see  
data-sheet no.:  
[IK-100-209-00](#)



-- 1>2

--- 2>1

## 2 way flow reg. screw-in valve (fixed)

FR1-20.-F-0-.....

### Ordering example:

FR1 - 20N - F - 0 - 12.00

↓            ↓            ↓            ↓            ↓

**A**        **B**        **C**        **D**        **E**



IMAV-Hydraulik GmbH  
Breite Strasse 10  
D-40670 Meerbusch (Osterath)  
Phone +49 (0)2159 - 9188.0  
Fax +49 (0)2159 - 4242  
E-mail: [info@imav.com](mailto:info@imav.com)  
Internet: <http://www.imav.com>

**MF-120-200-00**

(Subject to change!)

### Model code:

- A** **design**  
flow regulator valve
- B** **size and sealing**  
20N = Buna (NBR)  
20V = Viton (FPM)
- C** **adjustment**  
F = fixed
- D** **construction**  
0 = screw-in valve

- E** **quantity adjustment**  
requested regulated flow  
Q specify in gpm  
1 l/min = 0.265 Gpm  
(1 Gpm = 3.785 l/min)  
regulation tolerance  
4.0 - 20.0 l/min ±15%  
20.0 - 227.0 l/min ±10%

### Technical Data:

<b>nominal pressure:</b>	210 bar
<b>nominal flow:</b>	227 l/min
<b>weight:</b>	0.82 kg
<b>temperature range:</b>	-40°C to 120°C
<b>fluids:</b>	hydraulic oil as per DIN 51524 T1 (ISO TC 131)
<b>seals:</b>	optional Buna (NBR) or Viton (FPM), as well as Teflon wascher (PTFE)
<b>cavity:</b>	C-20-2 see datasheet no. <a href="#">IK-100-209-00</a>
<b>housing:</b>	2LH-20.-B.. see datasheet no. <a href="#">IH-100-000-00</a>
<b>seal kit:</b>	SP-MDS-20N-21 (NBR), SP-MDS-20V-21 (FPM)