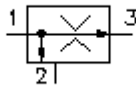


3 way flow reg.screw-in valve (fixed)

PFR1-16.-F-0-.....

Symbol:



Nom. pressure:
210 bar

Nominal flow:
150 l/min.

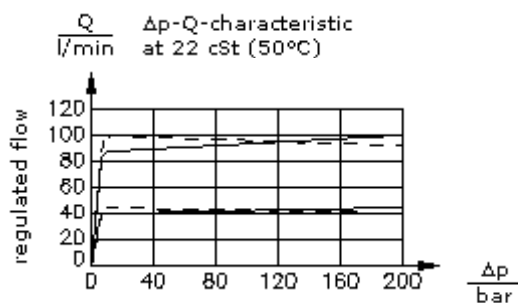
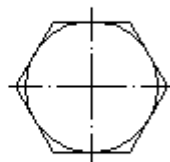
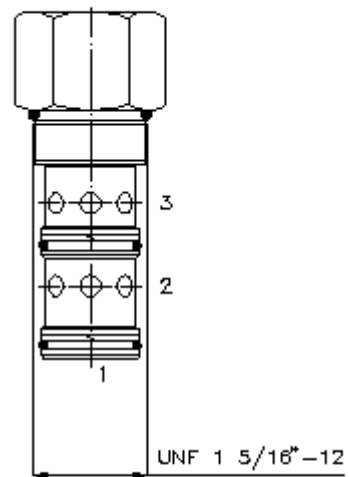
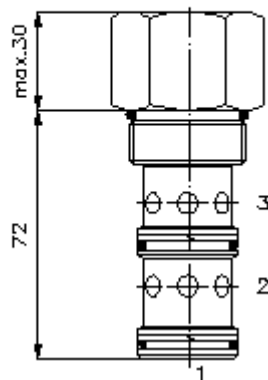


IMAV-Hydraulik GmbH
Breite Strasse 10
D-40670 Meerbusch (Osterath)
Phone +49 (0)2159 - 9188.0
Fax +49 (0)2159 - 4242
E-mail: info@imav.com
Internet: <http://www.imav.com>

MF-220-160-00
(Subject to change!)

HEX 1 1/2"
(torque
cartridge:
109 - 122 Nm)

cavity:
C-16-3
see
data-sheet no.:
[IK-300-169-00](#)



-- 1 > 2

--- 2 > 1

3 way flow reg.screw-in valve (fixed)

PFR1-16.-F-0-.....

Ordering example:

PFR1 - 16N - F - 0 - 09.00

A	B	C	D	E



IMAV-Hydraulik GmbH
Breite Strasse 10
D-40670 Meerbusch (Osterath)
Phone +49 (0)2159 - 9188.0
Fax +49 (0)2159 - 4242
E-mail: info@imav.com
Internet: <http://www.imav.com>

MF-220-160-00

(Subject to change!)

Model code:

- A design**
priority flow regulator valve
- B size and sealing**
16N = Buna (NBR)
16V = Viton (FPM)
- C adjustment**
F = fixed
- D construction**
0 = screw-in valve

- E quantity adjustment**
requested regulated flow
Q specify in gpm
1 l/min = 0.265 Gpm
(1 Gpm = 3.785 l/min)
regulation tolerance
2.0 - 11.0 l/min ±15%
11.0 - 114.0 l/min ±10%

Technical Data:

nominal pressure:	210 bar
nominal flow:	150 l/min
weight:	0.38 kg
inlet flow:	150 l/min
regulated flow:	115 l/min
temperature range:	-40°C to 120°C
fluids:	hydraulic oil as per DIN 51524 T1 (ISO TC 131)
seals:	optional Buna (NBR) or Viton (FPM), as well as Teflon wascher (PTFE)
cavity:	C-16-3 see datasheet no. IK-300-169-00
housing:	3LH-16.-B.. see datasheet no. IH-300-000-00
seal kit:	SP-MDS-16N-32 (NBR), SP-MDS-16V-32 (FPM)