

**needle screw-in valve
(adjustable)
NV1-08.-.-0**

FIT-N Symbol:
Hydraulics

Nom. pressure:
350 bar

Nominal flow:
45 l/min.



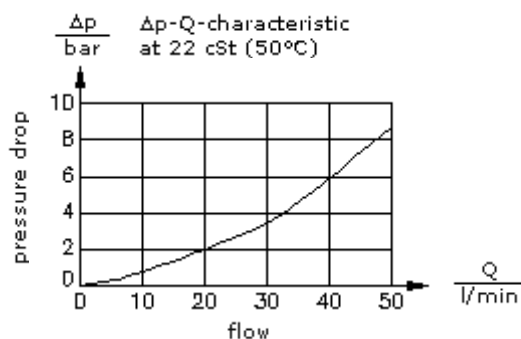
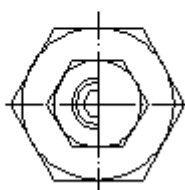
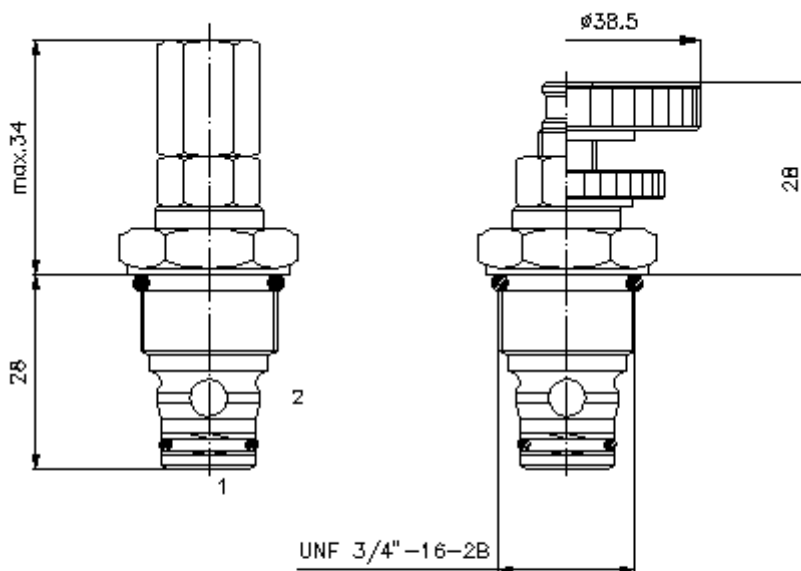
IMAV-Hydraulik GmbH
Breite Strasse 10
D-40670 Meerbusch (Osterath)
Phone +49 (0)2159 - 9188.0
Fax +49 (0)2159 - 4242
E-mail: info@imav.com
Internet: <http://www.imav.com>

MF-310-081-00
(Subject to change!)

HEX 1/2"

HEX 7/8"
(torque
cartridge:
34 - 40 Nm)

cavity:
C-08-2
see
data-sheet no.:
[IK-100-089-00](#)



**needle screw-in valve
(adjustable)
NV1-08.-.-0**



IMAV-Hydraulik GmbH
Breite Strasse 10
D-40670 Meerbusch (Osterath)
Phone +49 (0)2159 - 9188.0
Fax +49 (0)2159 - 4242
E-mail: info@imav.com
Internet: <http://www.imav.com>

MF-310-081-00
(Subject to change!)

Ordering example:

NV1 - 08N - K - 0
| | | |
A **B** **C** **D**

Model code:

- | | |
|---|--|
| A design
needle throttle valve | D construction
0 = screw-in valve |
| B size and sealing
08N = Buna (NBR)
08V = Viton (FPM) | |
| C adjustment
S = screw adjustment
C = cap
K = handknob | |

Technical Data:

nominal pressure:	350 bar
nominal flow:	45 l/min
weight:	0.07 kg
temperature range:	-40°C to 120°C
fluids:	hydraulic oil as per DIN 51524 T1 (ISO TC 131)
max. leakage:	5 drops/min at 22 cSt (50°C) and 210 bar
seals:	optional Buna (NBR) or Viton (FPM), as well as Teflon wascher (PTFE)
cavity:	C-10-2 see datasheet no. IK-100-109-00
housing:	2LH-10.-B.. see datasheet no. IH-100-000-00
seal kit:	SP-MDS-08N-22 (NBR), SP-MDS-08V-22 (FPM)