

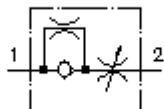
**needle screw-in valve
(adjustable)
NV1-16.-K-0**



EATON Symbol:
Hydraulics

Nom. pressure:
210 bar

Nominal flow:
151 l/min.

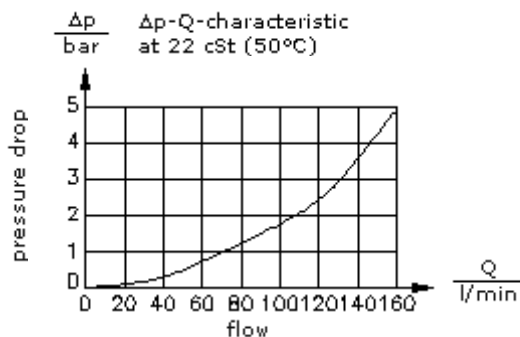
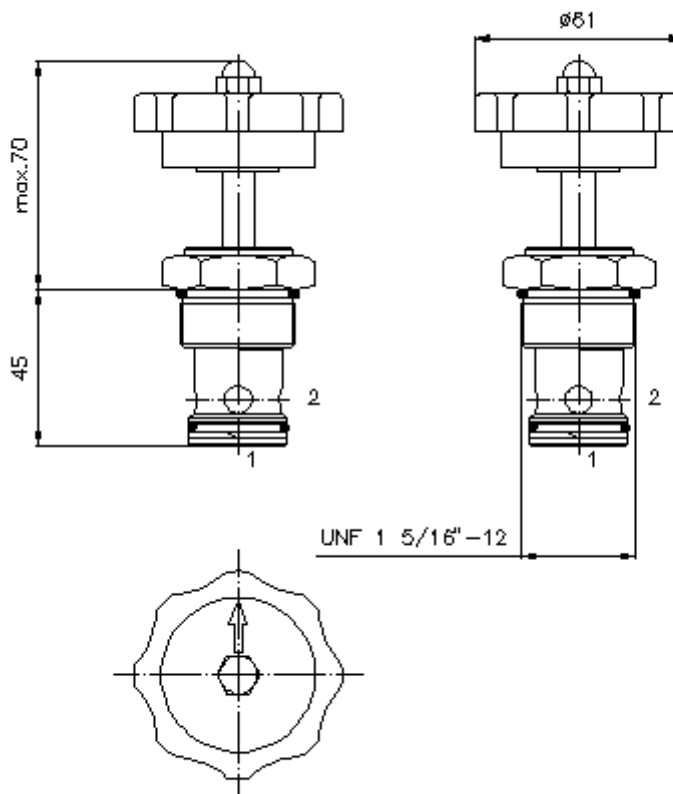


IMAV-Hydraulik GmbH
Breite Strasse 10
D-40670 Meerbusch (Osterath)
Phone +49 (0)2159 - 9188.0
Fax +49 (0)2159 - 4242
E-mail: info@imav.com
Internet: <http://www.imav.com>

MF-320-160-00
(Subject to change!)

HEX 1 1/2"
(torque
cartridge:
109 - 122 Nm)

cavity:
C-16-2
see
data-sheet no.:
IK-100-169-00



**needle screw-in valve
(adjustable)
NV1-16.-K-0**



IMAV-Hydraulik GmbH
Breite Strasse 10
D-40670 Meerbusch (Osterath)
Phone +49 (0)2159 - 9188.0
Fax +49 (0)2159 - 4242
E-mail: info@imav.com
Internet: <http://www.imav.com>

MF-320-160-00
(Subject to change!)

Ordering example:

NV1 - 16N - K - 0
| | | |
A **B** **C** **D**

Model code:

A design
needle throttle valve

B size and sealing
16N = Buna (NBR)
16V = Viton (FPM)

C adjustment
K = handknob

D construction
0 = screw-in valve

Technical Data:

nominal pressure: 210 bar

nominal flow: 151 l/min

weight: 0.34 kg

temperature range: -40°C to 120°C

fluids: hydraulic oil as per DIN 51524 T1 (ISO TC 131)

max. leakage: 5 drops/min at 22 cSt (50°C) and 210 bar

seals: optional Buna (NBR) or Viton (FPM), as well as Teflon wascher (PTFE)

cavity: C-16-2 see datasheet no. [IK-100-169-00](#)

housing: 2LH-16.-B.. see datasheet no. [IH-100-000-00](#)

seal kit: SP-MDS-16N-21 (NBR), SP-MDS-16V-21 (FPM)