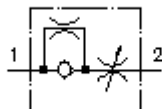


**needle screw-in valve
(adjustable)
NV1-20.-K-0**

EATON Symbol:
Hydraulics

Nom. pressure:
210 bar

Nominal flow:
265 l/min.

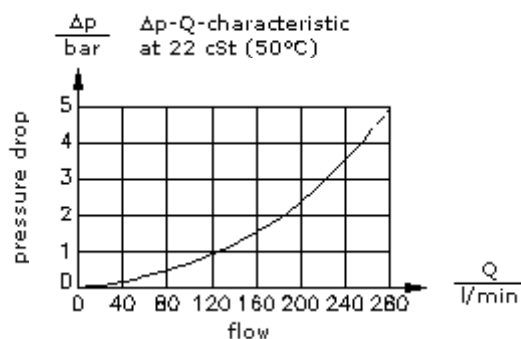
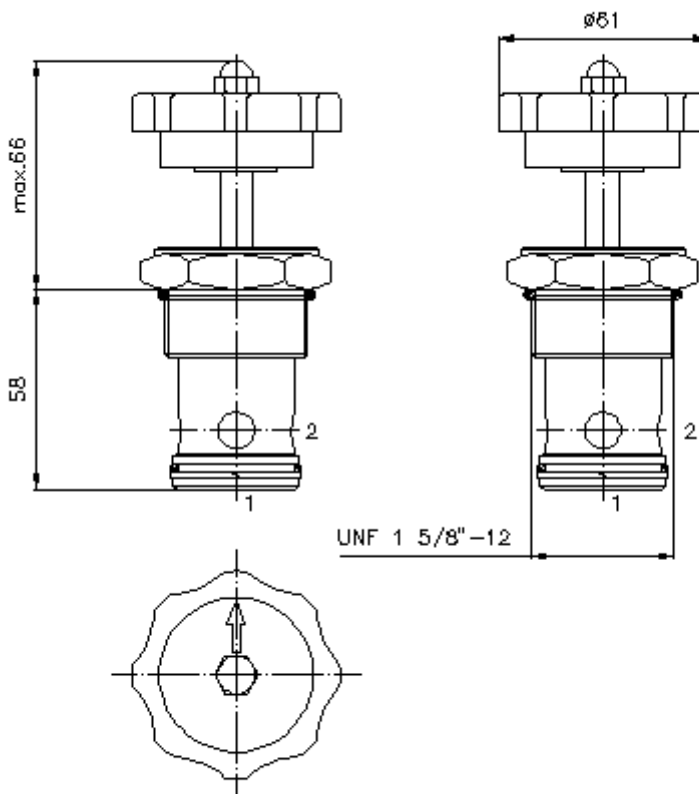


IMAV-Hydraulik GmbH
Breite Strasse 10
D-40670 Meerbusch (Osterath)
Phone +49 (0)2159 - 9188.0
Fax +49 (0)2159 - 4242
E-mail: info@imav.com
Internet: <http://www.imav.com>

MF-320-200-00
(Subject to change!)

HEX 1 7/8"
(torque
cartridge:
129 - 155 Nm)

cavity:
C-20-2
see
data-sheet no.:
[IK-100-209-00](#)



**needle screw-in valve
(adjustable)
NV1-20.-K-0**



IMAV-Hydraulik GmbH
Breite Strasse 10
D-40670 Meerbusch (Osterath)
Phone +49 (0)2159 - 9188.0
Fax +49 (0)2159 - 4242
E-mail: info@imav.com
Internet: <http://www.imav.com>

Ordering example:

NV1 - 20N - K - 0
| | | |
A **B** **C** **D**

MF-320-200-00
(Subject to change!)

Model code:

A **design**
needle throttle valve

B **size and sealing**
20N = Buna (NBR)
20V = Viton (FPM)

C **adjustment**
K = handknob

D **construction**
0 = screw-in valve

Technical Data:

nominal pressure: 210 bar

nominal flow: 265 l/min

weight: 0.59 kg

temperature range: -40°C to 120°C

fluids: hydraulic oil as per DIN 51524 T1 (ISO TC 131)

max. leakage: 5 drops/min at 22 cSt (50°C) and 210 bar

seals: optional Buna (NBR) or Viton (FPM), as well as Teflon wascher (PTFE)

cavity: C-20-2 see datasheet no. [IK-100-209-00](#)

housing: 2LH-20.-B.. see datasheet no. [IH-100-000-00](#)

seal kit: SP-MDS-20N-21 (NBR), SP-MDS-20V-21 (FPM)