

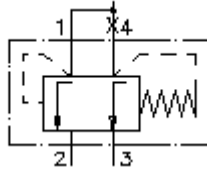
3 way press.comp.screw-in valve

PCS4-10.-0-...

EAT-N Symbol:
Hydraulics

Nom. pressure:
210 bar

Nominal flow:
38 l/min.

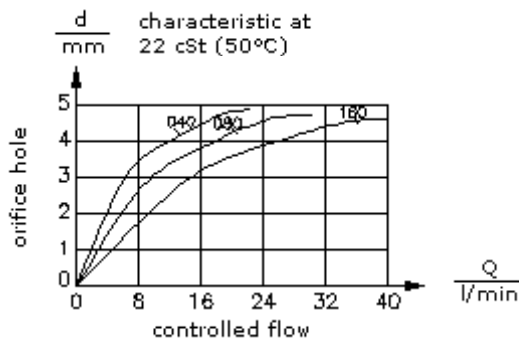
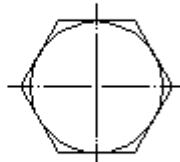
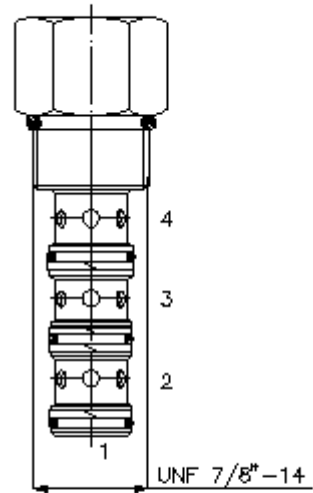
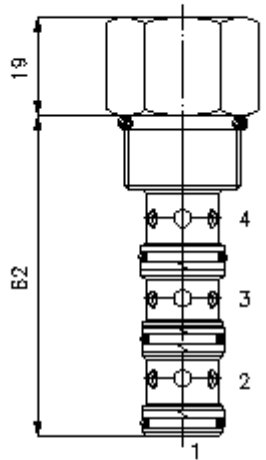


IMAV-Hydraulik GmbH
Breite Strasse 10
D-40670 Meerbusch (Osterath)
Phone +49 (0)2159 - 9188.0
Fax +49 (0)2159 - 4242
E-mail: info@imav.com
Internet: <http://www.imav.com>

MF-650-100-00
(Subject to change!)

HEX 1"
(torque
cartridge:
48 - 54 Nm)

cavity: C-10-4
see
data-sheet no.:
[IK-400-109-00](#)



3 way press.comp.screw-in valve

PCS4-10.-0-...

Ordering example:

PCS4 - 10N - 0 - 040

A	B	C	D



IMAV-Hydraulik GmbH
Breite Strasse 10
D-40670 Meerbusch (Osterath)
Phone +49 (0)2159 - 9188.0
Fax +49 (0)2159 - 4242
E-mail: info@imav.com
Internet: <http://www.imav.com>

MF-650-100-00
(Subject to change!)

Model code:

- A** **design**
pressure compensator
- B** **size and sealing**
10N = Buna (NBR)
10V = Viton (FPM)
- C** **construction**
0 = screw-in valve

- D** **differential pressure**
040 = 2.8 bar
080 = 5.5 bar
160 = 11.0 bar

Technical Data:

- nominal pressure:** 210 bar
- nominal flow:** 38 l/min
- weight:** 0.14 kg
- temperature range:** -40°C to 120°C
- fluids:** hydraulic oil as per DIN 51524 T1 (ISO TC 131)
- seals:** optional Buna (NBR) or Viton (FPM), as well as Teflon wascher (PTFE)
- cavity:** C-10-4 see datasheet no. [IK-400-109-00](#) Review note!
- housing:** 4LH-10.-B.. see datasheet no. [IH-400-000-00](#)
- seal kit:** SP-MDS-10N-44 (NBR), SP-MDS-10V-44 (FPM)