

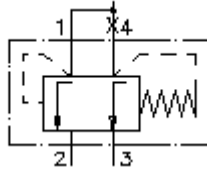
3 way press.comp.screw-in valve

PCS4-20.-0-...

EATON Symbol:

Nom. pressure:
210 bar

Nominal flow:
190 l/min.

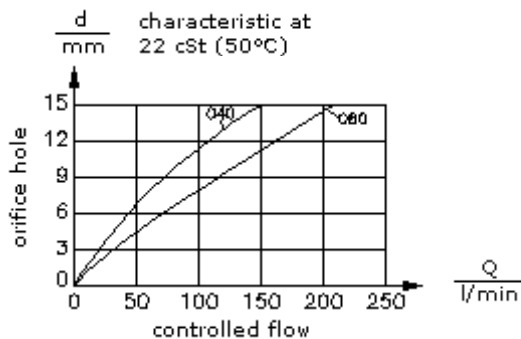
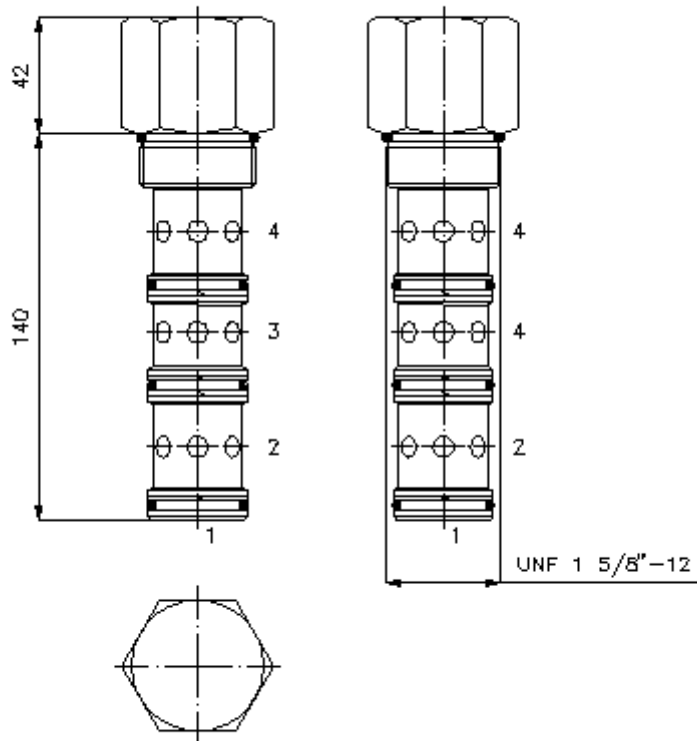


IMAV-Hydraulik GmbH
Breite Strasse 10
D-40670 Meerbusch (Osterath)
Phone +49 (0)2159 - 9188.0
Fax +49 (0)2159 - 4242
E-mail: info@imav.com
Internet: <http://www.imav.com>

MF-650-200-00
(Subject to change!)

HEX 1 7/8"
(torque
cartridge:
129 - 155 Nm)

cavity:
C-20-4
see
data-sheet no.:
[IK-400-209-00](#)



3 way press.comp.screw-in valve

PCS4-20.-0-...

Ordering example:

PCS4 - 20N - 0 - 080
| | | |
A **B** **C** **D**



IMAV-Hydraulik GmbH
Breite Strasse 10
D-40670 Meerbusch (Osterath)
Phone +49 (0)2159 - 9188.0
Fax +49 (0)2159 - 4242
E-mail: info@imav.com
Internet: <http://www.imav.com>

MF-650-200-00

(Subject to change!)

Model code:

A **design**
pressure compensator

B **size and sealing**
20N = Buna (NBR)
20V = Viton (FPM)

C **construction**
0 = screw-in valve

D **differential pressure**
080 = 5.5 bar
160 = 11.0 bar

Technical Data:

nominal pressure: 210 bar

nominal flow: 190 l/min

weight: 0.5 kg

temperature range: -40°C to 120°C

fluids: hydraulic oil as per DIN 51524 T1 (ISO TC 131)

seals: optional Buna (NBR) or Viton (FPM), as well as Teflon wascher (PTFE)

cavity: C-20-4 see datasheet no. [IK-400-209-00](#)

housing: 4LH-20.-B.. see datasheet no. [IH-400-000-00](#)

seal kit: SP-MDS-20N-44 (NBR), SP-MDS-20V-44 (FPM)