

**relief valve, screw-in type  
(direct acting, adjustable)  
RV3-16.-.-0-..**

**FIT-N** Symbol:  
Hydraulics

**Nom. pressure:**  
350 bar

**Nominal flow:**  
30 l/min.



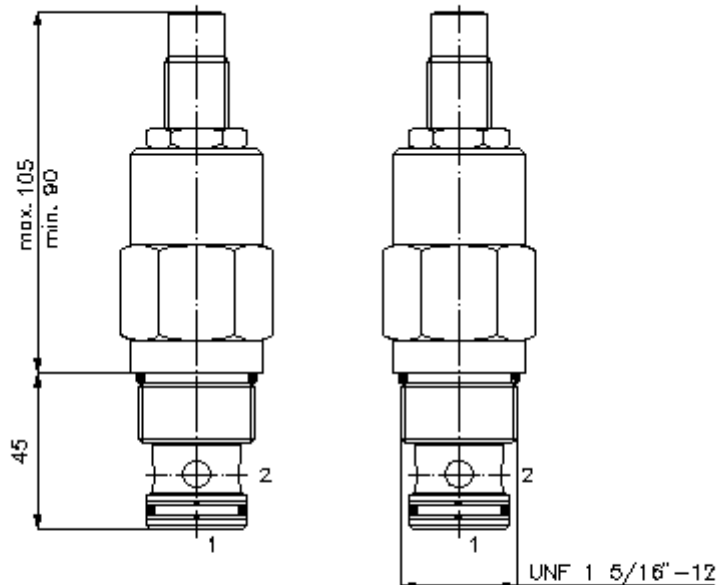
IMAV-Hydraulik GmbH  
Breite Strasse 10  
D-40670 Meerbusch (Osterath)  
Phone +49 (0)2159 - 9188.0  
Fax +49 (0)2159 - 4242  
E-mail: [info@imav.com](mailto:info@imav.com)  
Internet: <http://www.imav.com>

**MP-150-161-00**  
(Subject to change!)

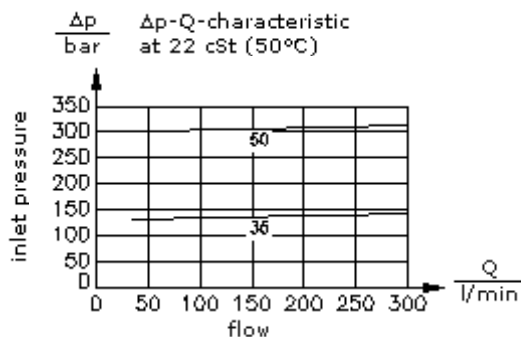
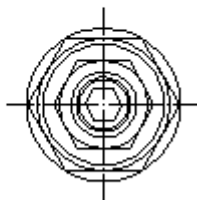
HEX 1"

HEX 1 1/2"  
(torque  
cartridge:  
109 - 122 Nm)

cavity:  
C-16-2  
see  
data-sheet no.:  
[IK-100-169-00](#)



HEX 3/8"



**relief valve, screw-in type  
(direct acting, adjustable)  
RV3-16.-.-0-..**



IMAV-Hydraulik GmbH  
Breite Strasse 10  
D-40670 Meerbusch (Osterath)  
Phone +49 (0)2159 - 9188.0  
Fax +49 (0)2159 - 4242  
E-mail: [info@imav.com](mailto:info@imav.com)  
Internet: <http://www.imav.com>

**Ordering example:**

RV3 - 16N - S - 0 - 35  
|        |        |        |        |  
**A**    **B**    **C**    **D**    **E**

**MP-150-161-00**  
(Subject to change!)

**Model code:**

- A design**  
relief-valve  
poppet type valve  
direct acting
- B size and sealing**  
16N = Buna (NBR)  
16V = Viton (FPM)
- C adjustment**  
S = screw adjustment

- D construction**  
0 = screw-in valve
- E pressure range**  
05 = 3.4 - 35 bar  
13 = 20.7 - 90 bar  
35 = 82.7 - 241 bar  
50 = 137.9 - 350 bar

**Technical Data:**

**nominal pressure:** 350 bar  
**nominal flow:** 30 - 305 l/min  
**weight:** 0.71 kg  
**temperature range:** -40°C to 120°C  
**fluids:** hydraulic oil as per DIN 51524 T1 (ISO TC 131)  
**max. leakage:** 5 drops/min at 22 cSt (50°C) and 80% crack pressure  
**seals:** optional Buna (NBR) or Viton (FPM), as well as Teflon wascher (PTFE)  
**cavity:** C-16-2 see datasheet no. [IK-100-169-00](#)  
**housing:** 2LH-16.-B.. see datasheet no. [IH-100-000-00](#)  
**seal kit:** SP-MDS-16N-22 (NBR), SP-MDS-16V-22 (FPM)