

**relief valve, screw-in type
(pilot operated, adjustable)
RV11-12.-.-0-..**

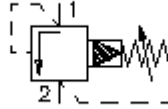


IMAV-Hydraulik GmbH
Breite Strasse 10
D-40670 Meerbusch (Osterath)
Phone +49 (0)2159 - 9188.0
Fax +49 (0)2159 - 4242
E-mail: info@imav.com
Internet: <http://www.imav.com>

Symbol:

Nom. pressure:
350 bar

Nominal flow:
114 l/min.



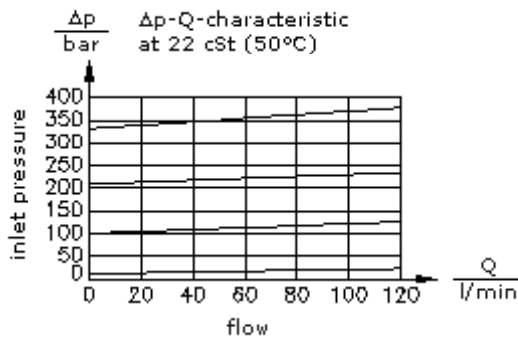
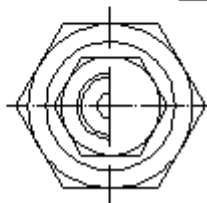
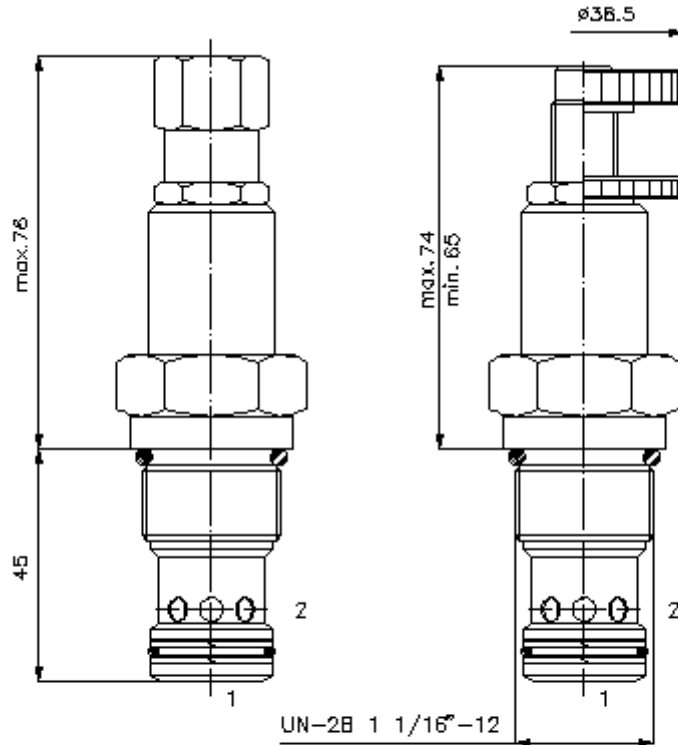
MP-170-121-00
(Subject to change!)

HEX 3/4"

HEX 1 1/4"
(torque
cartridge:
85 - 94 Nm)

cavity:
C-12-2
see
data-sheet no.:
[IK-100-129-00](#)

HEX 3/16"



**relief valve, screw-in type
(pilot operated, adjustable)
RV11-12.-.-0-..**



IMAV-Hydraulik GmbH
Breite Strasse 10
D-40670 Meerbusch (Osterath)
Phone +49 (0)2159 - 9188.0
Fax +49 (0)2159 - 4242
E-mail: info@imav.com
Internet: <http://www.imav.com>

MP-170-121-00

(Subject to change!)

Ordering example:

RV11 - 12N - C - 0 - 30
| | | | |
A **B** **C** **D** **E**

Model code:

- A design**
relief-valve
spool type valve
pilot operated
- B size and sealing**
12N = Buna (NBR)
12V = Viton (FPM)
- C adjustment**
S = screw adjustment
C = cap
K = handknob

- D construction**
0 = screw-in valve
- E pressure range**
15 = 10.3 - 105 bar
30 = 17.2 - 210 bar
50 = 24.1 - 350 bar

Technical Data:

nominal pressure: 350 bar
nominal flow: 114 l/min
weight: 0.3 kg
temperature range: -40°C to 120°C
fluids: hydraulic oil as per DIN 51524 T1 (ISO TC 131)
max. leakage: 85 ccm/min at 22 cSt (50°C) and 80% crack pressure
seals: optional Buna (NBR) or Viton (FPM), as well as Teflon wascher (PTFE)
cavity: C-12-2 see datasheet no. [IK-100-129-00](#)
housing: 2LH-12.-B.. see datasheet no. [IH-100-000-00](#)
seal kit: SP-MDS-12N-22 (NBR), SP-MDS-12V-22 (FPM)