

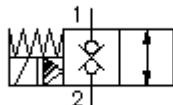
**2 way, 2 pos. sol. valve, poppet
(normally closed)
SBV11-12.-C-0-.....H**



EATON Symbol:
Hydraulics

Nom. pressure:
350 bar

Nominal flow:
114 l/min.



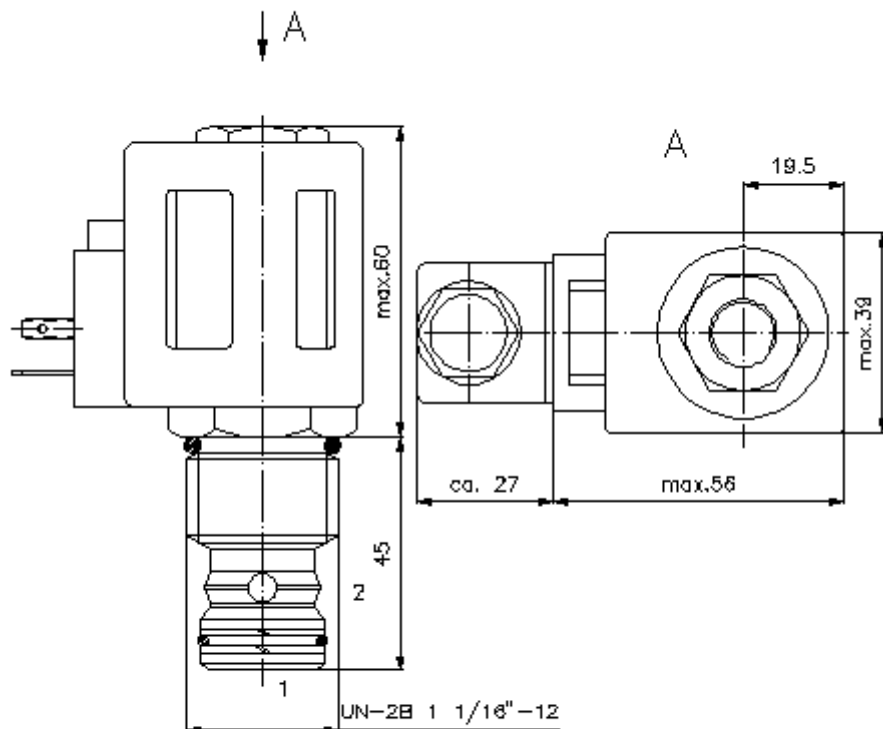
IMAV-Hydraulik GmbH
Breite Strasse 10
D-40670 Meerbusch (Osterath)
Phone +49 (0)2159 - 9188.0
Fax +49 (0)2159 - 4242
E-mail: info@imav.com
Internet: <http://www.imav.com>

MS-260-121-00
(Subject to change!)

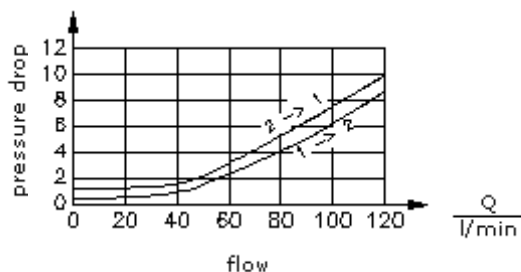
HEX 3/4"
(torque
cartridge:
5 - 8 Nm)

HEX 1 1/4"
(torque
cartridge:
85 - 94 Nm)

cavity:
C-12-2
see
data-sheet no.:
[IK-100-129-00](#)



$\frac{\Delta p}{\text{bar}}$ Δp -Q-characteristic
at 22 cSt (50°C)



**2 way, 2 pos. sol. valve, poppet
(normally closed)
SBV11-12.-C-0-.....H**



IMAV-Hydraulik GmbH
Breite Strasse 10
D-40670 Meerbusch (Osterath)
Phone +49 (0)2159 - 9188.0
Fax +49 (0)2159 - 4242
E-mail: info@imav.com
Internet: <http://www.imav.com>

MS-260-121-00
(Subject to change!)

Ordering example:

SBV11 - 12N - C - 0 - 024D - G H
| | | | | | |
A **B** **C** **D** **E** **F** **G**

Model code:

- | | |
|--|--|
| <p>A design
solenoid valve
double poppet valve
pilot operated</p> <p>B size and sealing
12N = Buna (NBR)
12V = Viton (FPM)</p> <p>C symbol function mode
C = normally closed</p> <p>D construction
0 = screw-in valve</p> <p>E voltage
DC current:
012D = 12V DC
024D = 24V DC
AC current:
120A = 120V AC
240A = 240V AC
other voltage on request</p> | <p>F power supply
G = DIN 43650 connector, other
connectors see data sheet no.: MS-010-
000-00</p> <p>G coil
H = high pressure variant</p> |
|--|--|

Technical Data:

- | | |
|---------------------------|---|
| nominal pressure: | 350 bar |
| nominal flow: | 114 l/min |
| weight: | 0.6 kg |
| temperature range: | -40°C to 100°C |
| fluids: | hydraulic oil as per DIN 51524 T1 (ISO TC 131) |
| max. leakage: | 5 drops/min at 22 cSt (50°C) and 350 bar |
| seals: | optional Buna (NBR) or Viton (FPM), as well as Teflon wascher (PTFE) |
| power consumption: | 26 W |
| response times: | with 100% change of current, nominal pressure and approx. 80% of the
flow
open: .. ms
close: .. Ms |
| cavity: | C-12-2 see datasheet no. IK-100-129-00 |
| housing: | 2LH-12.-B.. see datasheet no. IH-100-000-00 |
| seal kit: | SP-MDS-12N-22 (NBR), SP-MDS-12V-22 (FPM) |