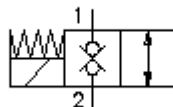


**2 way, 2 pos. sol. valve, poppet  
(normally closed)  
SBV12-08.-C-0-.....H**



**FIT-N** Symbol:  
Hydraulics



**Nom. pressure:**  
350 bar

**Nominal flow:**  
1 l/min.

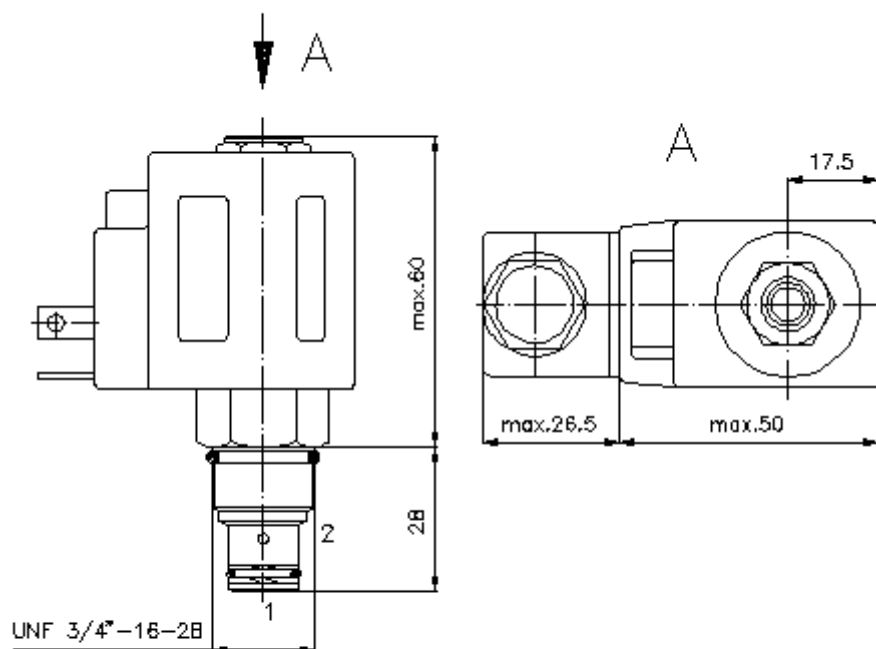
IMAV-Hydraulik GmbH  
Breite Strasse 10  
D-40670 Meerbusch (Osterath)  
Phone +49 (0)2159 - 9188.0  
Fax +49 (0)2159 - 4242  
E-mail: [info@imav.com](mailto:info@imav.com)  
Internet: <http://www.imav.com>

**MS-280-081-00**  
(Subject to change!)

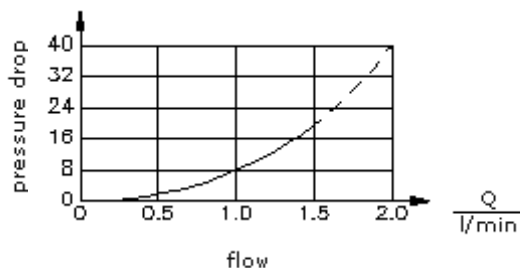
HEX 5/8"  
(torque  
cartridge:  
5 - 8 Nm)

HEX 7/8"  
(torque  
cartridge:  
34 - 40 Nm)

cavity:  
C-08-2  
see  
data-sheet no.:  
[IK-100-089-00](#)



$\frac{\Delta p}{\text{bar}}$   $\Delta p$ -Q-characteristic  
at 22 cSt (50°C)



**2 way, 2 pos. sol. valve, poppet  
(normally closed)  
SBV12-08.-C-0-.....H**



IMAV-Hydraulik GmbH  
Breite Strasse 10  
D-40670 Meerbusch (Osterath)  
Phone +49 (0)2159 - 9188.0  
Fax +49 (0)2159 - 4242  
E-mail: [info@imav.com](mailto:info@imav.com)  
Internet: <http://www.imav.com>

**MS-280-081-00**  
(Subject to change!)

**Ordering example:**

SBV12 - 08N - C - 0 - 024D - G H  
| | | | | | |  
**A** **B** **C** **D** **E** **F** **G**

**Model code:**

- |   |  |
|---|--|
| <p><b>A design</b><br/>solenoid valve<br/>double poppet valve<br/>direct acting</p> <p><b>B size and sealing</b><br/>08N = Buna (NBR)<br/>08V = Viton (FPM)</p> <p><b>C symbol function mode</b><br/>C = normally closed</p> <p><b>D construction</b><br/>0 = screw-in valve</p> <p><b>E voltage</b><br/>DC current:<br/>012D = 12V DC<br/>024D = 24V DC<br/>AC current:<br/>120A = 120V AC<br/>240A = 240V AC<br/>other voltage on request</p> | <p><b>F power supply</b><br/>G = DIN 43650 connector, other<br/>connectors see data sheet no.: MS-010-<br/>000-00</p> <p><b>G coil</b><br/>H = high pressure variant</p> |
|---|--|

**Technical Data:**

<b>nominal pressure:</b>	350 bar
<b>nominal flow:</b>	1 l/min
<b>weight:</b>	0.4 kg
<b>temperature range:</b>	-40°C to 100°C
<b>fluids:</b>	hydraulic oil as per DIN 51524 T1 (ISO TC 131)
<b>max. leakage:</b>	5 drops/min at 22 cSt (50°C) and 350 bar
<b>seals:</b>	optional Buna (NBR) or Viton (FPM), as well as Teflon wascher (PTFE)
<b>power consumption:</b>	20 W
<b>response times:</b>	with 100% change of current, nominal pressure and approx. 80% of the flow open: .. ms close: .. Ms
<b>cavity:</b>	C-08-2 see datasheet no. <a href="#">IK-100-089-00</a>
<b>housing:</b>	2LH-08.-B.. see datasheet no.: <a href="#">IH-100-000-00</a>
<b>seal kit:</b>	SP-MDS-08N-22 (NBR), SP-MDS-08V-22 (FPM)