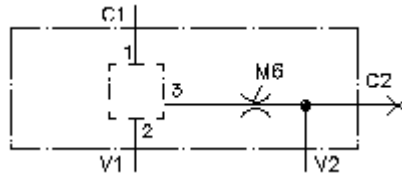


# 3kanaliga lühike õõneskruvi ventii korpus 3SHVG-...-B..



**Sümbol:**

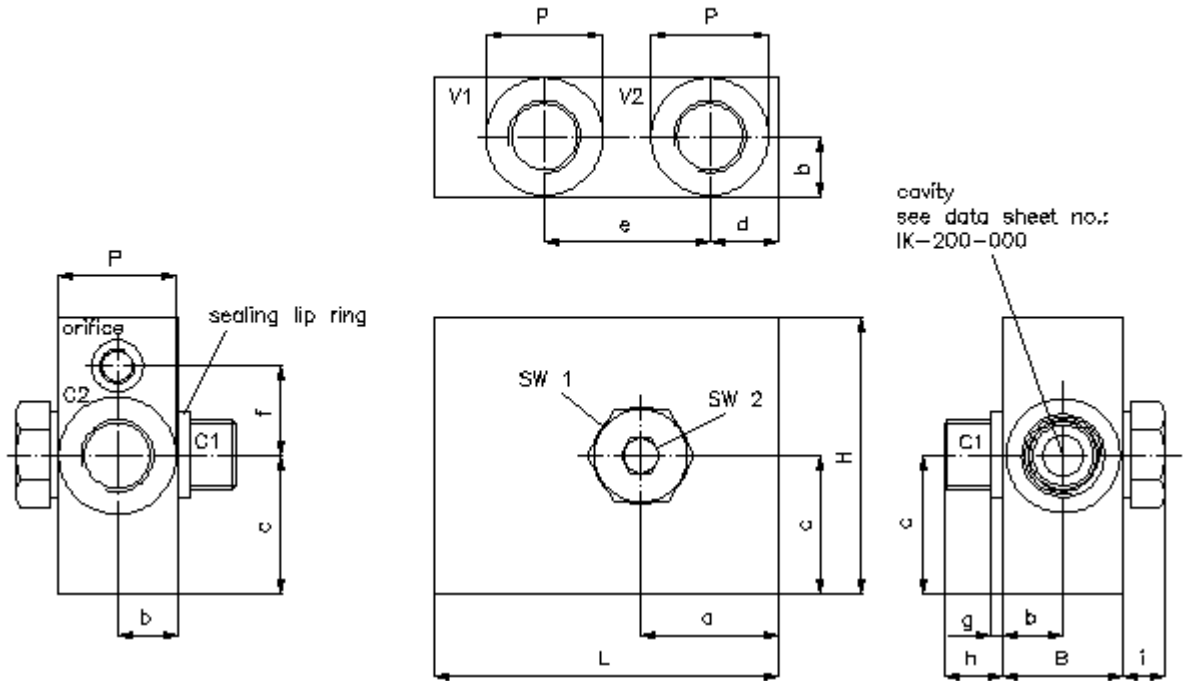
**Nominaalrõhk:**  
350 bar



IMAV-Hydraulik GmbH  
Breite Strasse 10  
D-40670 Meerbusch (Osterath)  
Telefon +49 (0)2159 - 9188.0  
Fax +49 (0)2159 - 4242  
E-mail: [info@imav.com](mailto:info@imav.com)  
Internet: <http://www.imav.com>

**IH-250-000-00**

(Õigus teha muudatusi reserveeritud!)



spotface port size	
size	P
B03	ø28
B04	ø34

type	L	B	H	a	b	c	d	e	f	g	h	i	SW 1	SW 2	weight (kg)	
															A	S
3SHVG-10.-B03	120	35	80	50	17.5	40	25	63	26	2	14	11	22	8	0.81	2.0
3SHVG-10.-B04	120	35	80	50	17.5	40	25	63	26	3.5	17.5	12.5	27	10	0.81	2.0
3SHVG-12.-B04	125	38	80	50	19	40	25	58	26	2	16.5	10.5	27	10	0.95	2.3

