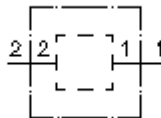


dvograno kuciste (sa navojem) 2LH-...-B..



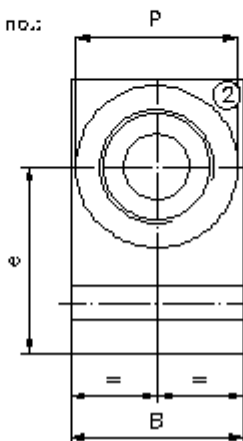
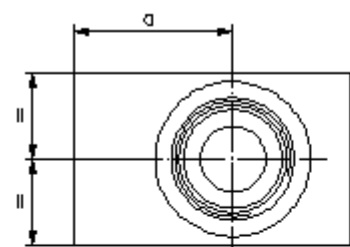
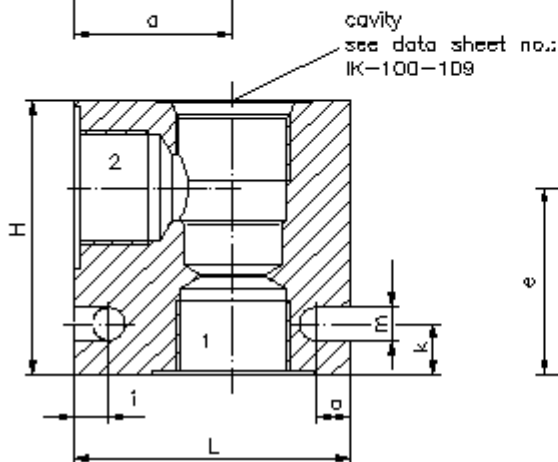
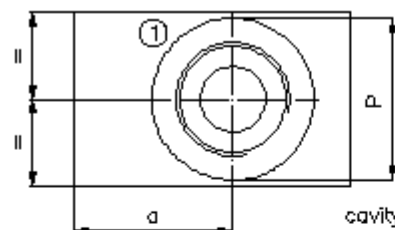
Simbol

Nazivni pritisak
350 bar

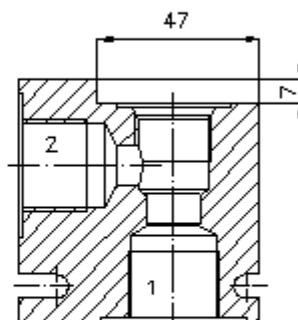


IMAV-Hydraulik GmbH
Breite Strasse 10
D-40670 Meerbusch (Osterath)
Telefon +49 (0)2159 - 9188.0
Telefax +49 (0)2159 - 4242
E-mail: info@imav.com
Internet: <http://www.imav.com>

IH-100-000-00
(Promjene nisu isključene!)



only 2LH-10.-B08



spotface port size	
size	P
B02	ø25
B03	ø28
B04	ø34
B06	ø42
B08	ø47
B10	ø58
B12	ø65

type	L	B	H	a	e	i	k	m	ø	weight (kg)	
										A	S
2LH-08.-B..	60	35	60	36	45	11	10	7	4	0.33	0.80
2LH-10.-B..	60	40	60	36	42	11	10	7	4	0.33	0.80
2LH-10.-B08	70	50	70	45	45	11	10	7	4	0.55	1.55
2LH-12.-B..	80	60	80	48	55	10	15	9	10	1.00	2.70
2LH-16.-B..	80	60	80	48	54.5	10	15	9	10	1.00	2.70
2LH-20.-B..	100	75	100	60	68	14	25	11	8	1.65	4.30

**dvograno kuciste
(sa navojem)
2LH-...-B..**

Primjer za porudzbu

2LH - 10 - A - B04
| | | |
A **B** **C** **D**



IMAV-Hydraulik GmbH
Breite Strasse 10
D-40670 Meerbusch (Osterath)
Telefon +49 (0)2159 - 9188.0
Telefax +49 (0)2159 - 4242
E-mail: info@imav.com
Internet: <http://www.imav.com>

IH-100-000-00

(Promjene nisu isključene!)

Kljuc

A **izvedba**
dvograno kuciste

B **velicina**
08
10
12
16
20

C **materijal**
A = AlCuMgPb
S = GGG odnosno 9SMn28K

D **prikljucci 1 i 2**
velicina 08
B02 = R 1/4
B03 = R 3/8
velicina 10, visina 50 mm
B02 = R 1/4
B03 = R 3/8
B04 = R 1/2
B06 = R 3/4
velicina 12
B04 = R 1/2
B06 = R 3/4
B08 = R 1
velicina 16
B06 = R 3/4
B08 = R 1
velicina 20
B08 = R 1
B10 = R 1 1/4
B12 = R 1 1/2

Tehnicke informacije

uputa: dimenzije i tezinu vidi tabelu na prvoj stranici

nazivni pritisak: 250 bar (A)
350 bar (S)

tezina: