

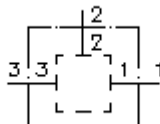
trograno kuciste

3SLH-...-B..



Simbol

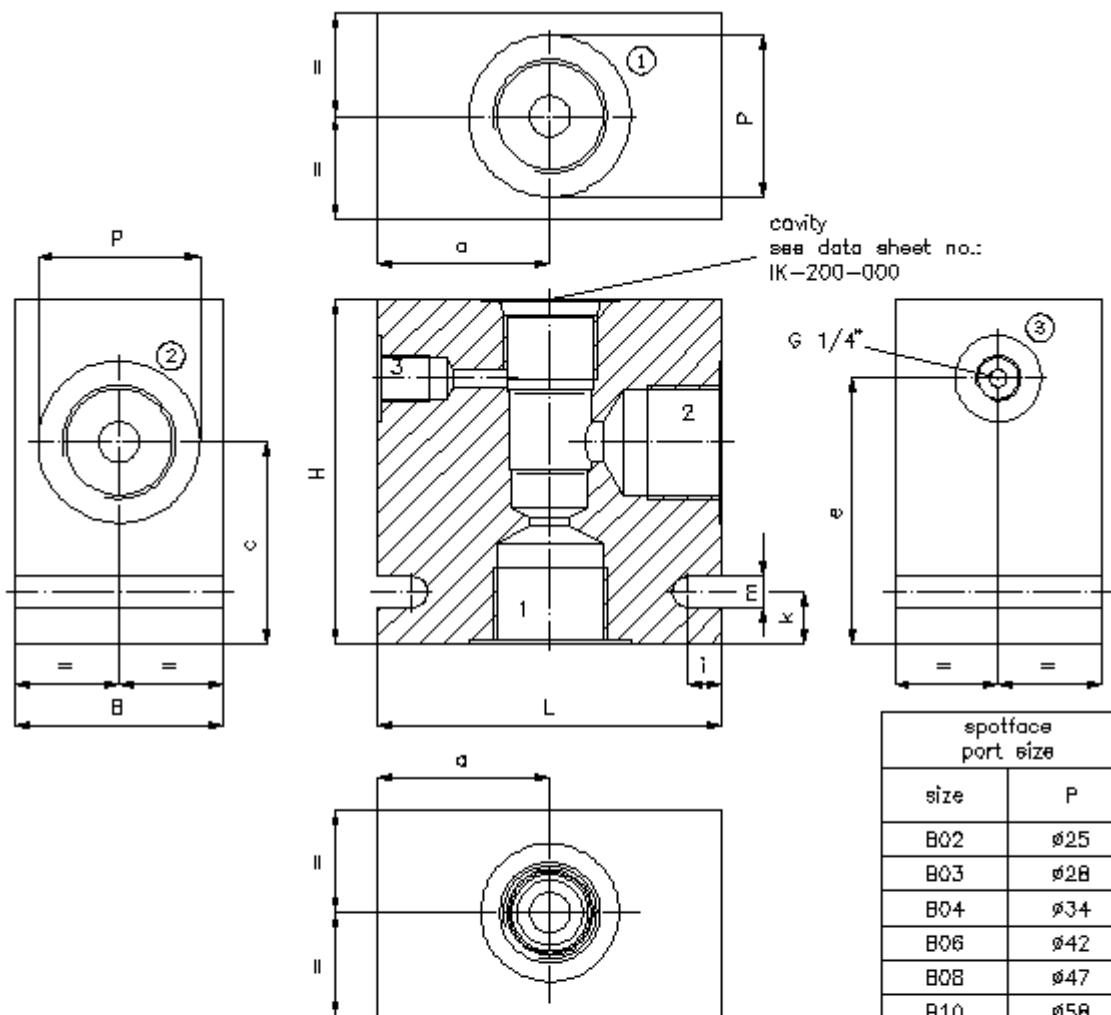
Nazivni pritisak
350 bar



IMAV-Hydraulik GmbH
Breite Strasse 10
D-40670 Meerbusch (Osterath)
Telefon +49 (0)2159 - 9188.0
Telefax +49 (0)2159 - 4242
E-mail: info@imav.com
Internet: <http://www.imav.com>

IH-200-000-00

(Promjene nisu isključene!)



| spotface port size | |
|--------------------|-----|
| size | P |
| B02 | ø25 |
| B03 | ø28 |
| B04 | ø34 |
| B06 | ø42 |
| B08 | ø47 |
| B10 | ø58 |
| B12 | ø65 |

| type | L | B | H | a | c | e | i | k | m | weight (kg) | |
|--------------|-----|----|-----|----|----|------|----|----|----|-------------|------|
| | | | | | | | | | | A | S |
| 3SLH-10.-B.. | 70 | 40 | 70 | 35 | 38 | 54.5 | 10 | 10 | 7 | 0.50 | 1.30 |
| 3SLH-10.-B06 | 80 | 50 | 80 | 40 | 48 | 64.5 | 10 | 10 | 7 | 0.80 | 2.10 |
| 3SLH-12.-B.. | 100 | 60 | 100 | 50 | 58 | 79 | 10 | 15 | 9 | 1.30 | 3.10 |
| 3SLH-16.-B.. | 100 | 80 | 100 | 45 | 61 | 82 | 10 | 15 | 9 | 1.30 | 3.10 |
| 3SLH-20.-B.. | 120 | 80 | 120 | 50 | 69 | 99 | 10 | 25 | 11 | 2.80 | 6.70 |

trograno kuciste

3SLH-...-B..

Primjer za porudzbu

3SLH - 10 - A - B04

↓ ↓ ↓ ↓

A **B** **C** **D**



IMAV-Hydraulik GmbH
Breite Strasse 10
D-40670 Meerbusch (Osterath)
Telefon +49 (0)2159 - 9188.0
Telefax +49 (0)2159 - 4242
E-mail: info@imav.com
Internet: <http://www.imav.com>

IH-200-000-00

(Promjene nisu isključene!)

Kljuc

A **izvedba**
3S kuciste

B **velicina**
10
12
16
20

C **materijal**
A = AlCuMgPb
S = GGG odnosno 9SMn28K

D **prikljucci 1 i 2**
velicina 10, visina 50 mm

B02 = R 1/4

B03 = R 3/8

B04 = R 1/2

B06 = R 3/4

velicina 12

B04 = R 1/2

B06 = R 3/4

B08 = R 1

velicina 16

B06 = R 3/4

B08 = R 1

velicina 20

B08 = R 1

B10 = R 1 1/4

B12 = R 1 1/2

Tehnicke informacije

uputa: dimenzije i tezinu vidi tabelu na prvoj stranici

nazivni pritisak: 250 bar (A)
350 bar (S)

tezina: